

SANICUBIC® 1 SC

The Sanicubic 1 SC is a lifting station with 1 three-phase cast iron pump with a single-channel impeller.

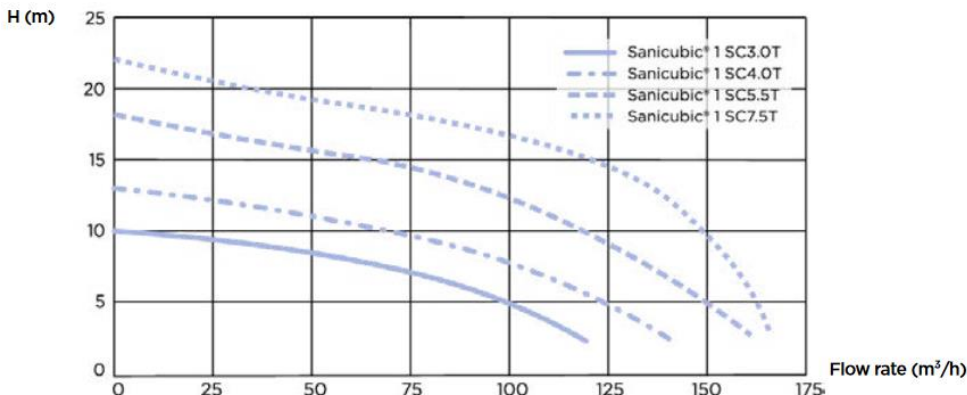
Designed for lifting wastewater from public buildings or shopping centres. It comes with a pneumatic remote-control box including an audible and visual alarm.

A lifting station powered by a 6 300 W motor reaching up to a maximum discharge flow rate of 160 m³/h



TECHNICAL CHARACTERISTICS

Discharge	100 mm
Motor	6 300 Watt / 12.1 A
Voltage	220-240 V / 50-60 Hz
Working Water Temperature	35° C Max 55°C (intermittent)
Tank Volume	480 L
Product Weight	225 kg's
Overall Measurements	564 x 540 x 607 mm
Inlet Pipe Work	150 mm
IP Rating	IP57
Maximum flow rate	160 m ³ /h
Max discharge high	18 m



* Only have Sanicubic 1 SC5.5T available in South Africa

APPLICATION



TOILET



HAND BASIN



SHOWER



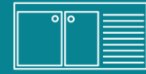
BATH



WASHING MACHINE

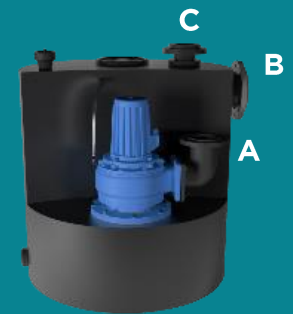


DISHWASHER



KITCHEN SINK

SANICUBIC® 1 SC



A: 100 mm Discharge

B: 150 mm Inlet

C: 110mm / Open Vent

Product Reference: SANICUBIC1SC5.5T

Saniflo

SFA SOUTH AFRICA

Shaking up water

Made in France to the highest standards, needs to be installed by a licensed plumber.

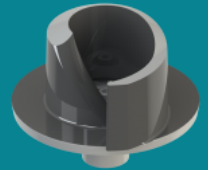
SANICUBIC[®] 1 SC

EQUIPPED WITH

External mounted control box with clear LED screen



Single channel impeller

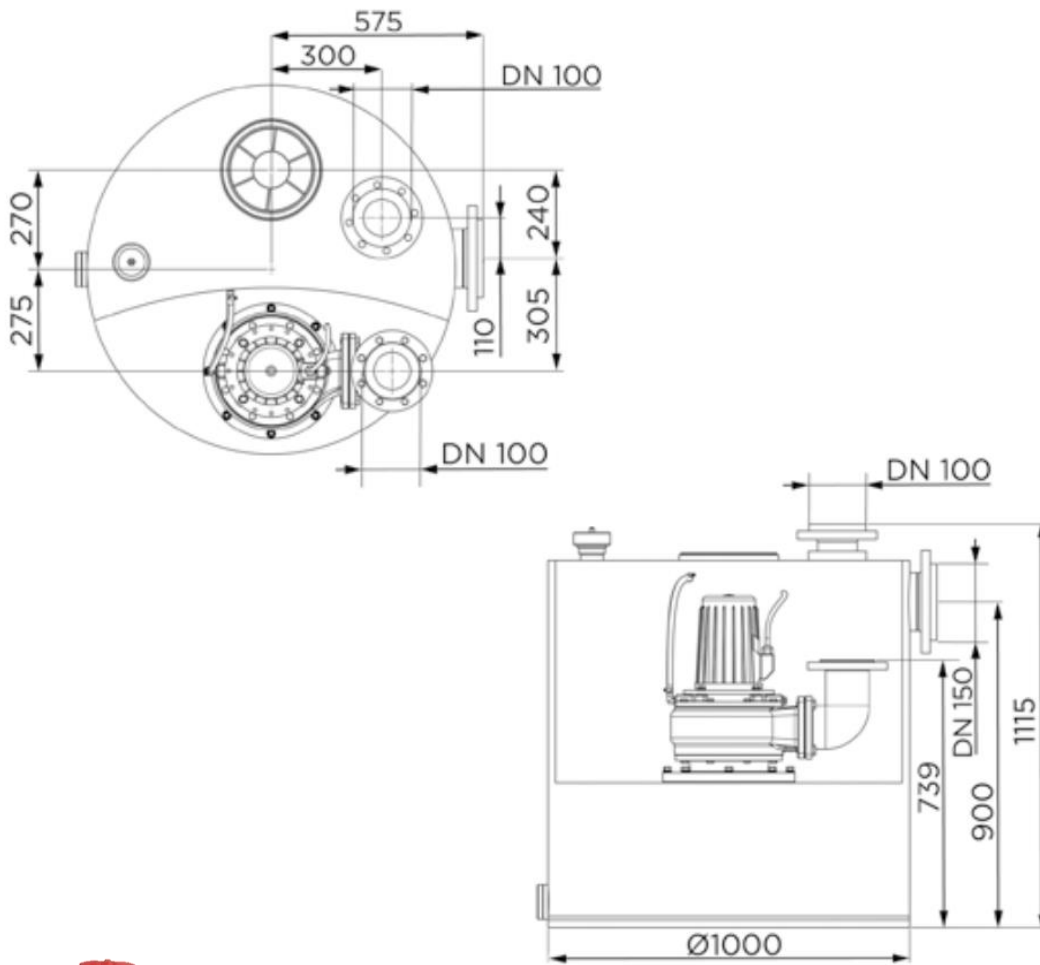


ACCESSORIES (sold separately)

Carbon filter - when you can't take the vent outdoors



Shut-off valve used on the inlets for ease of maintenance



Note: Isolation valves should be fitted to the inlet pipework and discharge pipework to isolate the unit for servicing.

WHY CHOOSE THIS PRODUCT

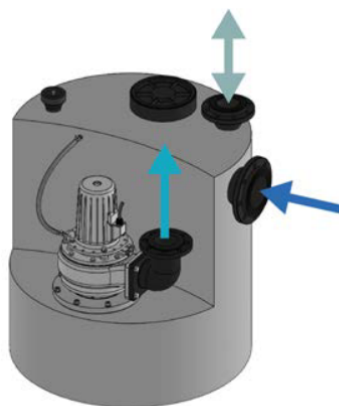
Tough, reliable grinding lifting station

Free passage 80 mm or 100 mm

Intelligent level controller

Clear LED screen

Allow 200 mm clearance around pump for maintenance purpose



- Inlet diameter DN : 150
- Discharge diameter DN : 100
- Ventilation diameter DN : 100



single-channel

Saniflo

SFA SOUTH AFRICA
Shaking up water

Made in France to the highest standards, needs to be installed by a licensed plumber.