

CUBIC 1
276 04.18

SFA



SANICUBIC® 1



IMPORTANT

**DO NOT RETURN ANY MERCHANDISE TO THE VENDOR
NE PAS RETOURNER DE MARCHANDISE AU VENDEUR**

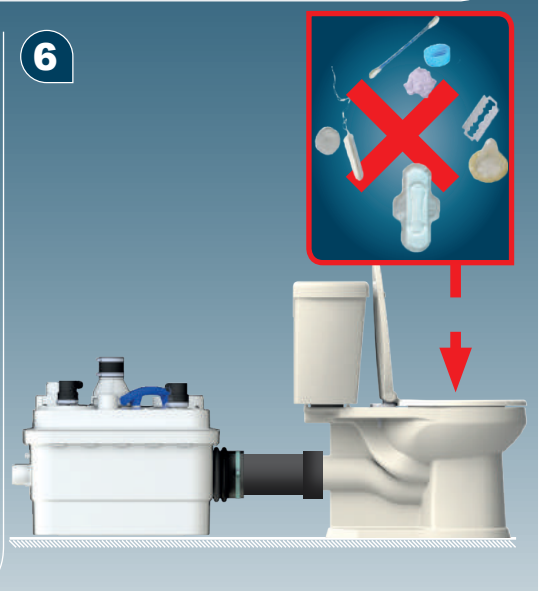
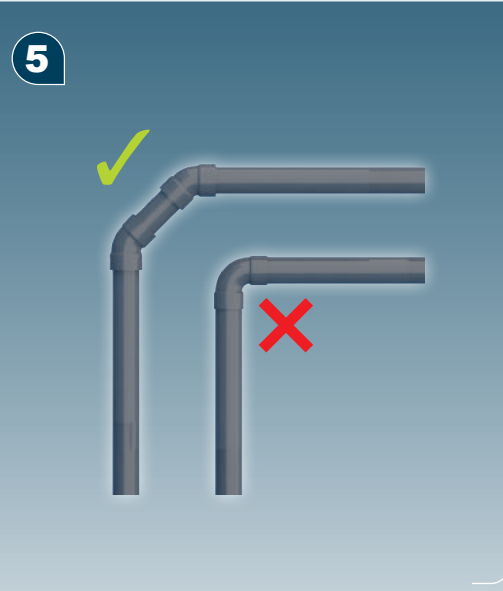
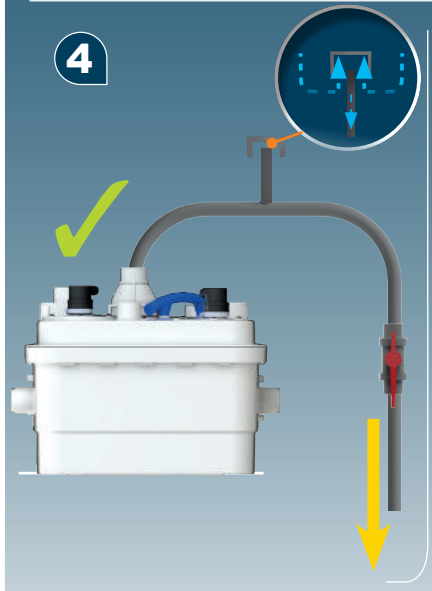
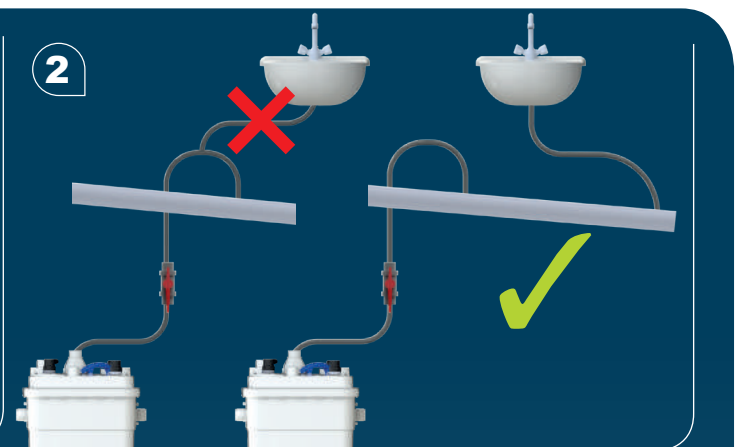
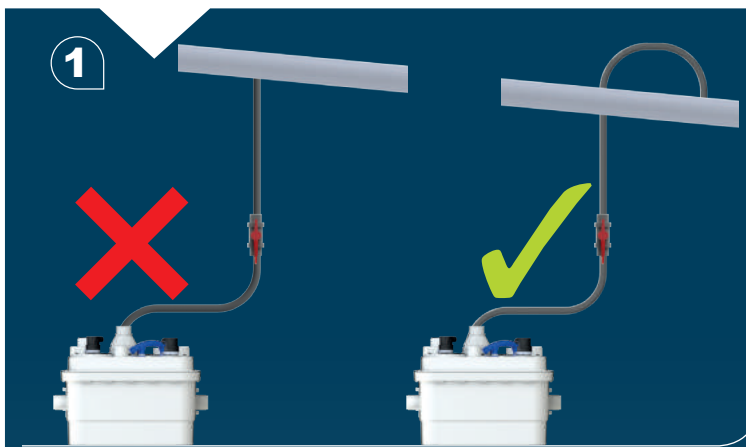
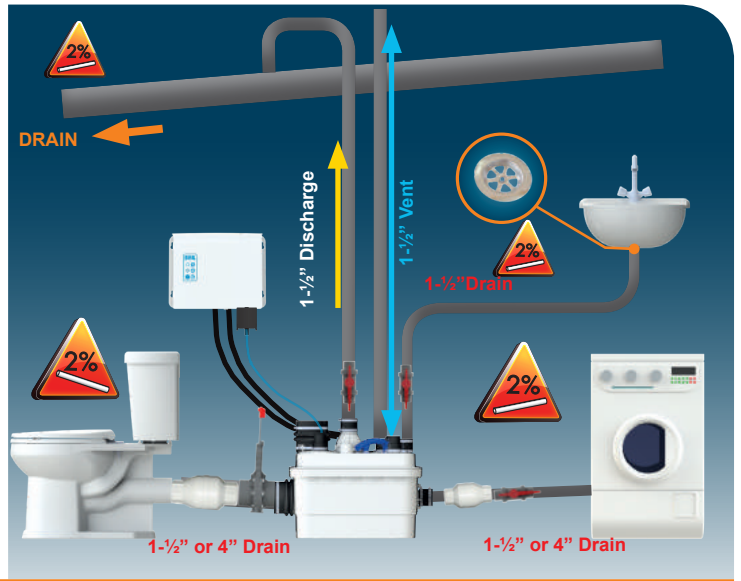
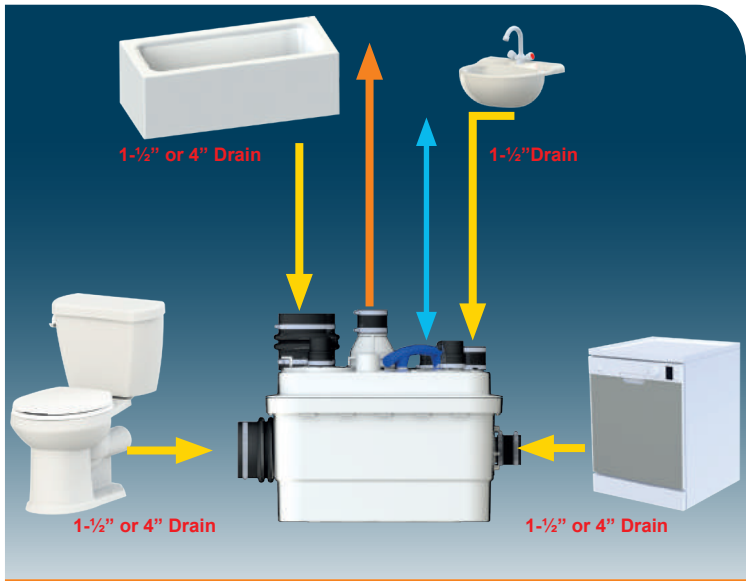
For customer Service, Returns or Technical Questions, please call Saniflo's Technical support toll-free at 800-571-8191 (USA) or 800-363-5874 (CDN).

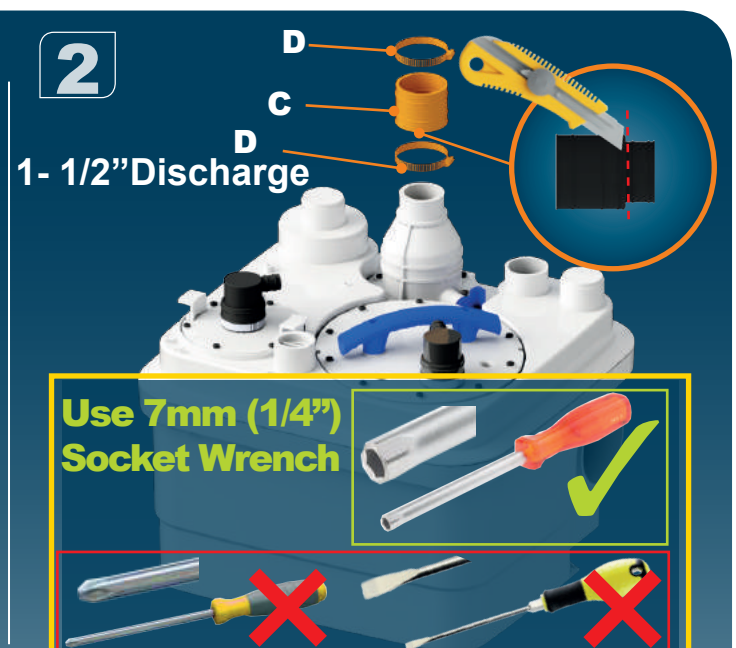
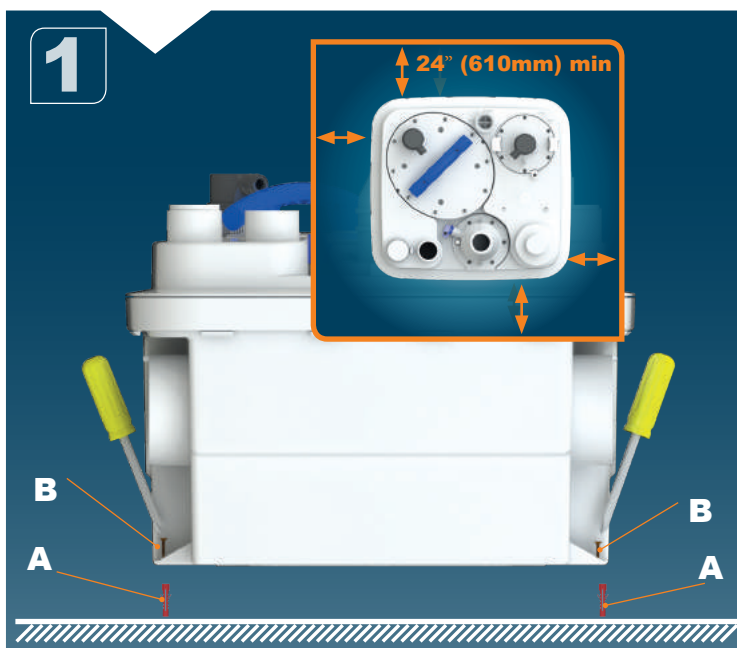
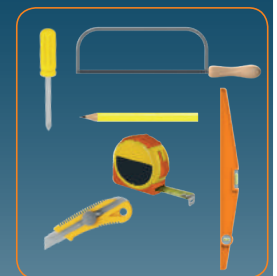
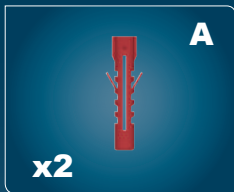
Pour le service client, les retours ou toute question technique, merci d'appeler le service technique de Saniflo au numéro suivant : 800-571-8191 (USA) or 800-363-5874 (CDN).

**This product must be installed in strict accordance with local plumbing codes.
Product should be installed by a licensed plumber.**

**Le produit doit être installé dans le respect des règlements sanitaires locaux.
Le produit doit être installé par un plombier qualifié.**

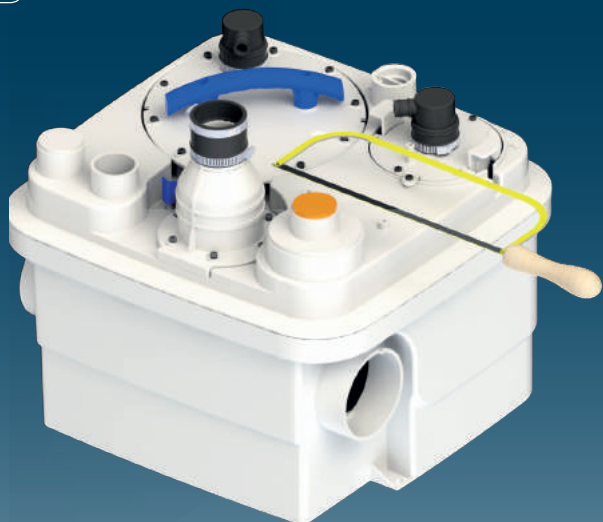






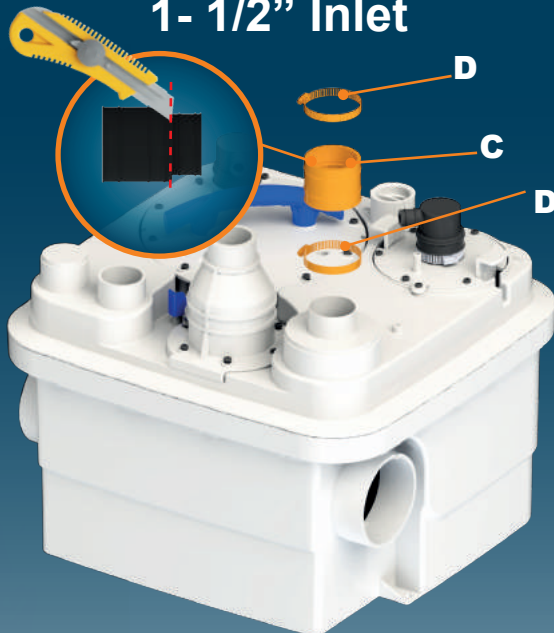
SANICUBIC 1 IP68
120V or 220-240V / 60 Hz / 1 HP

3

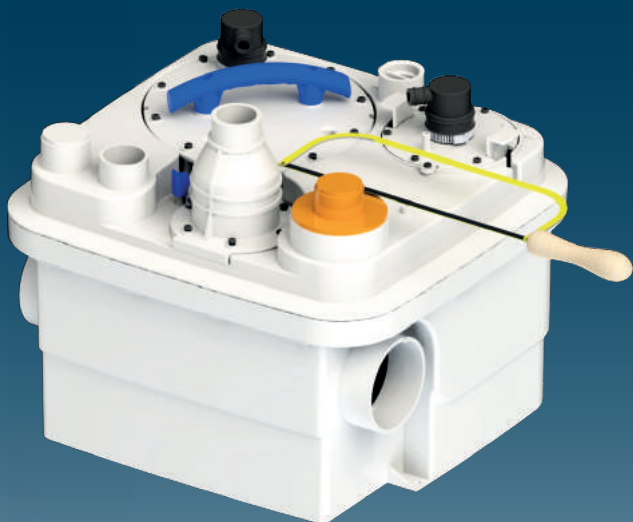


4

1- 1/2" Inlet

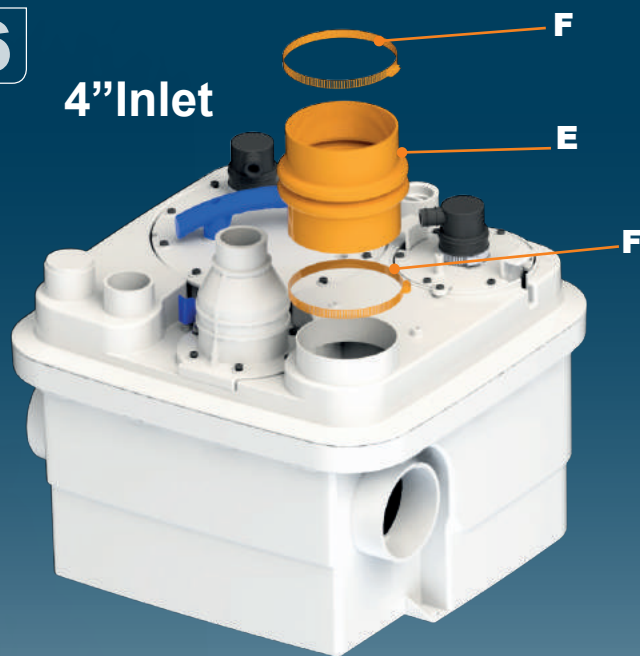


5



6

4" Inlet

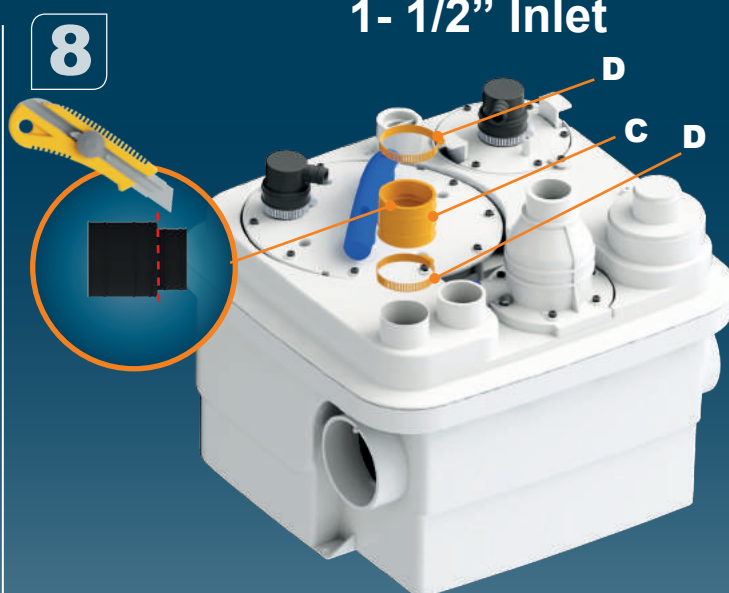


7

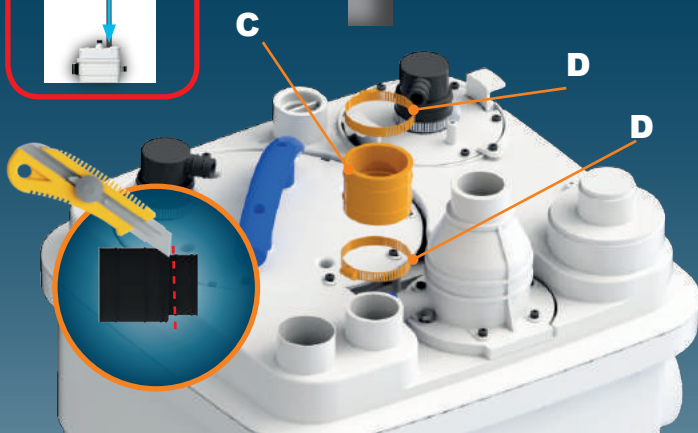


8

1- 1/2" Inlet



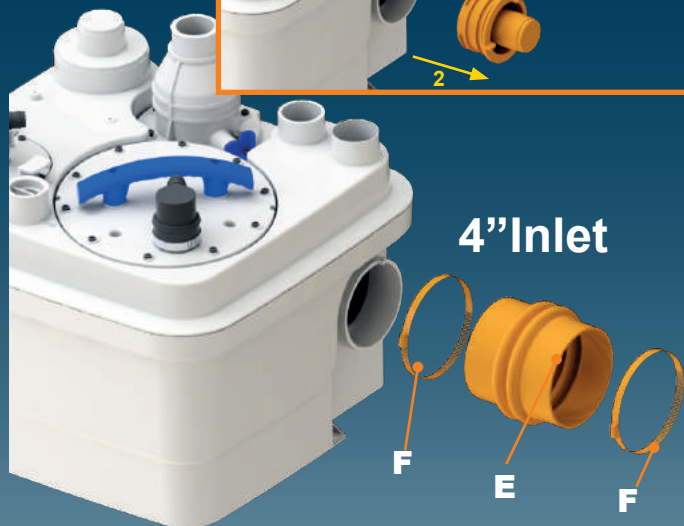
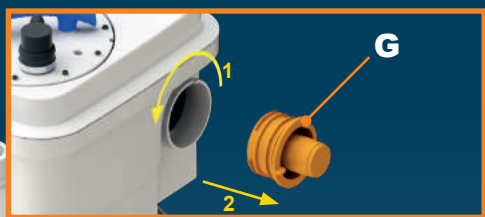
9 1- 1/2" Vent



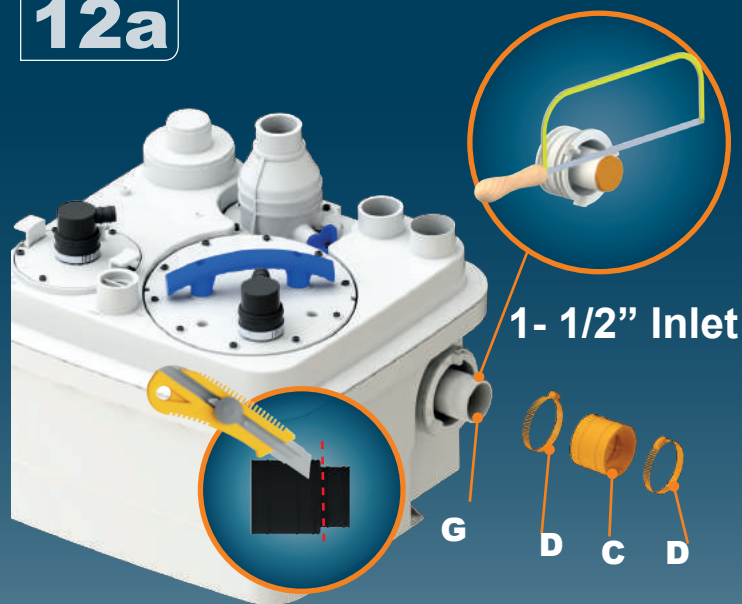
10



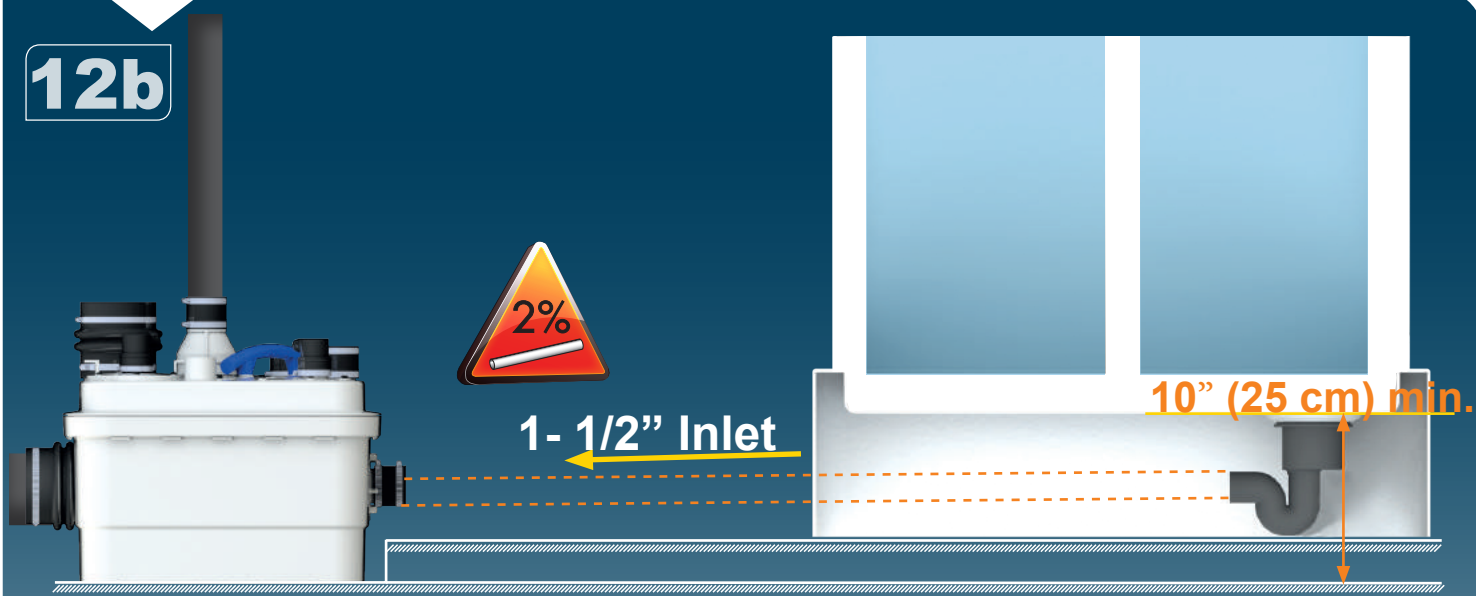
11

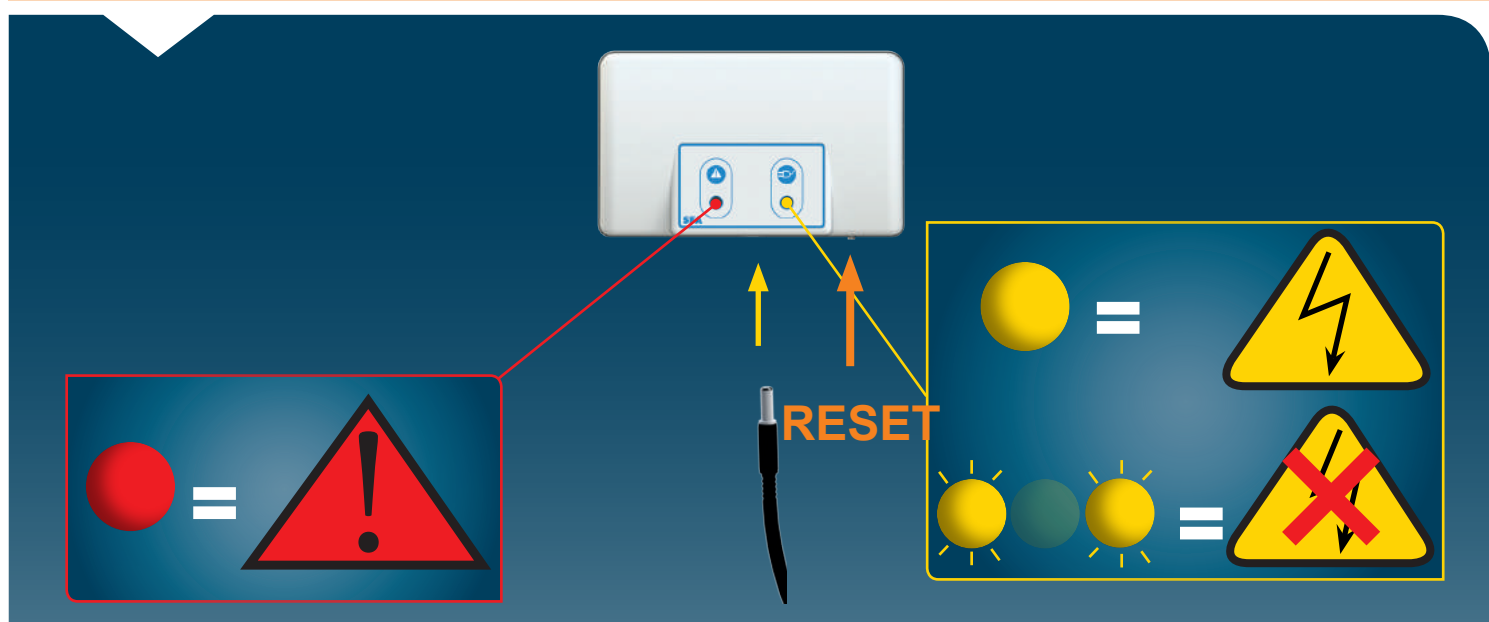
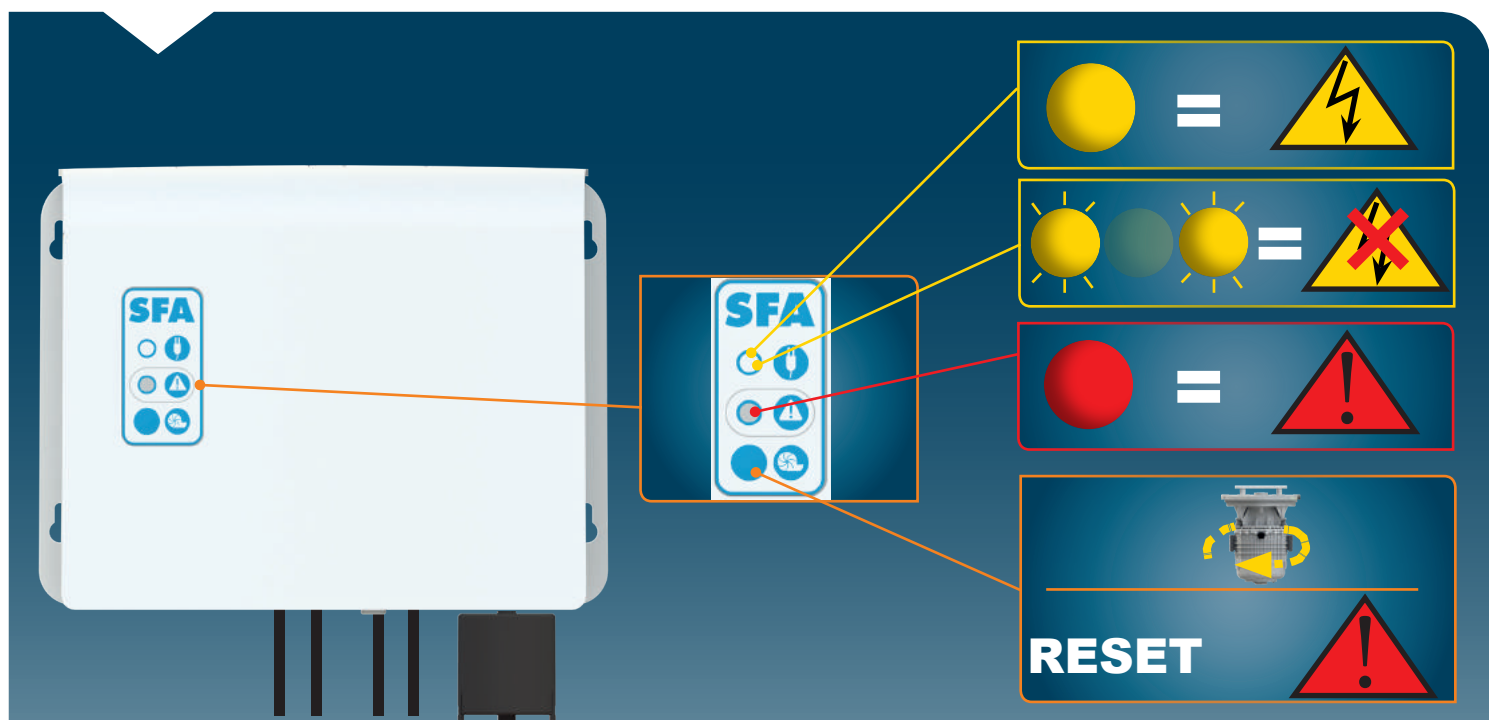
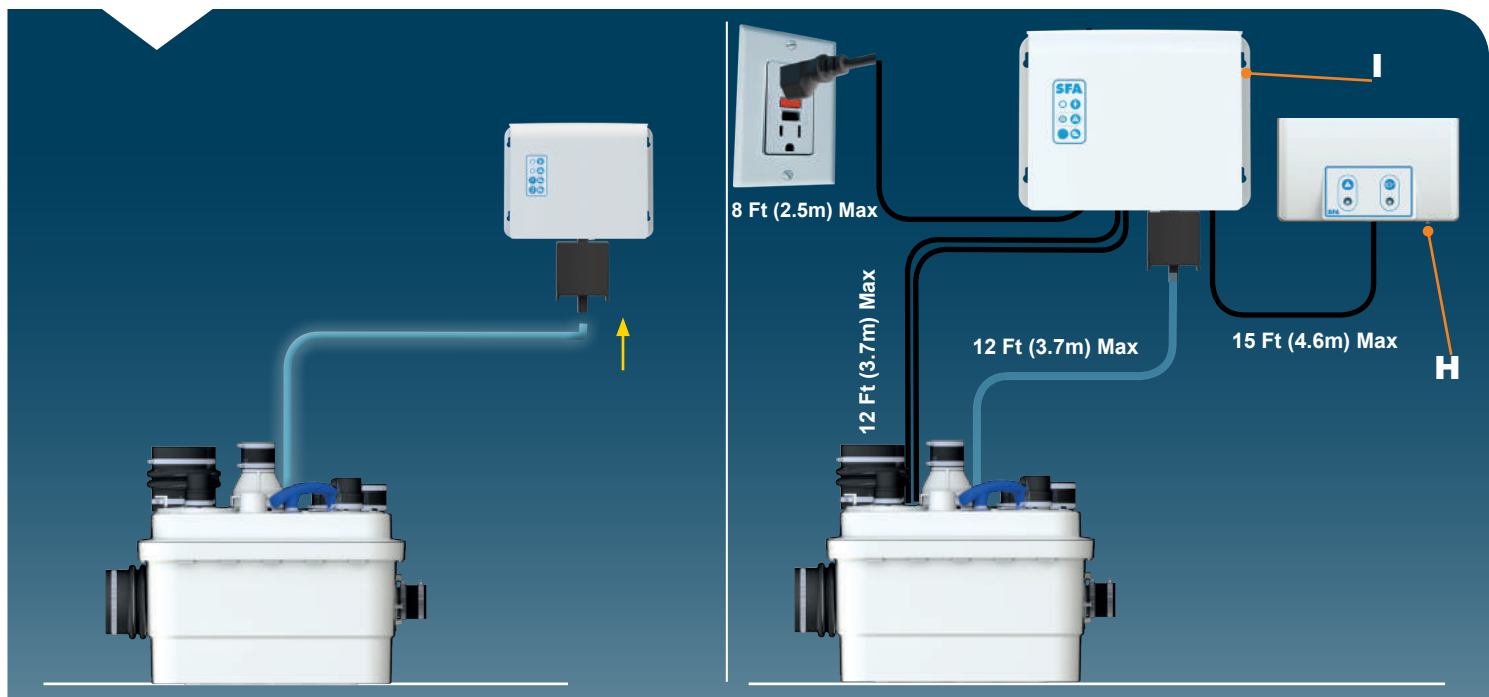


12a

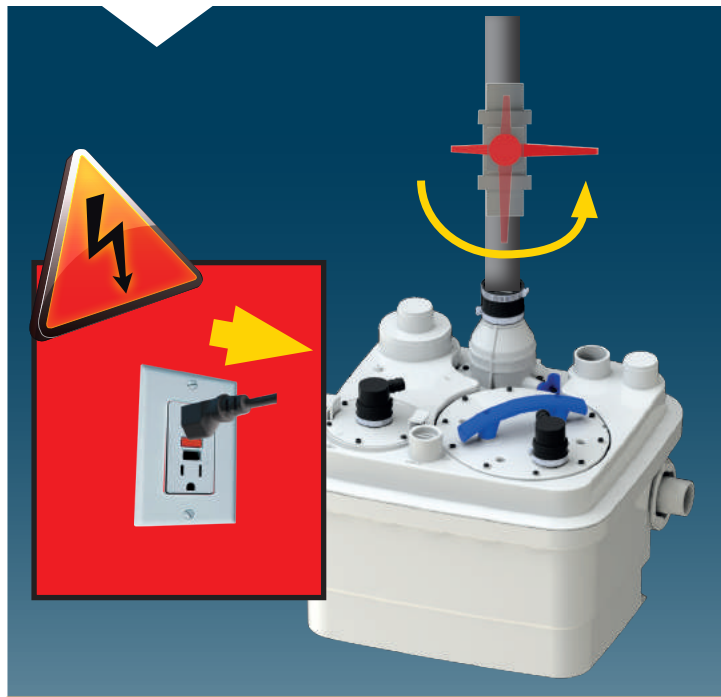


12b





SANICUBIC 1 IP68
120V or 220-240V / 60 Hz / 1 HP



1



2



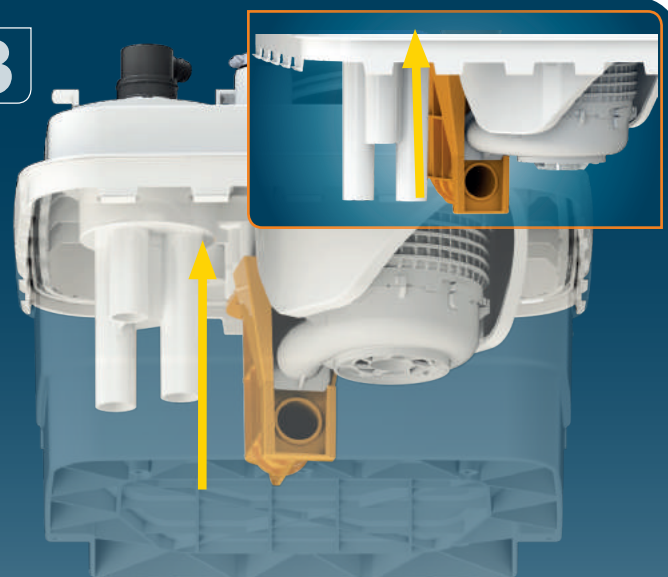
1

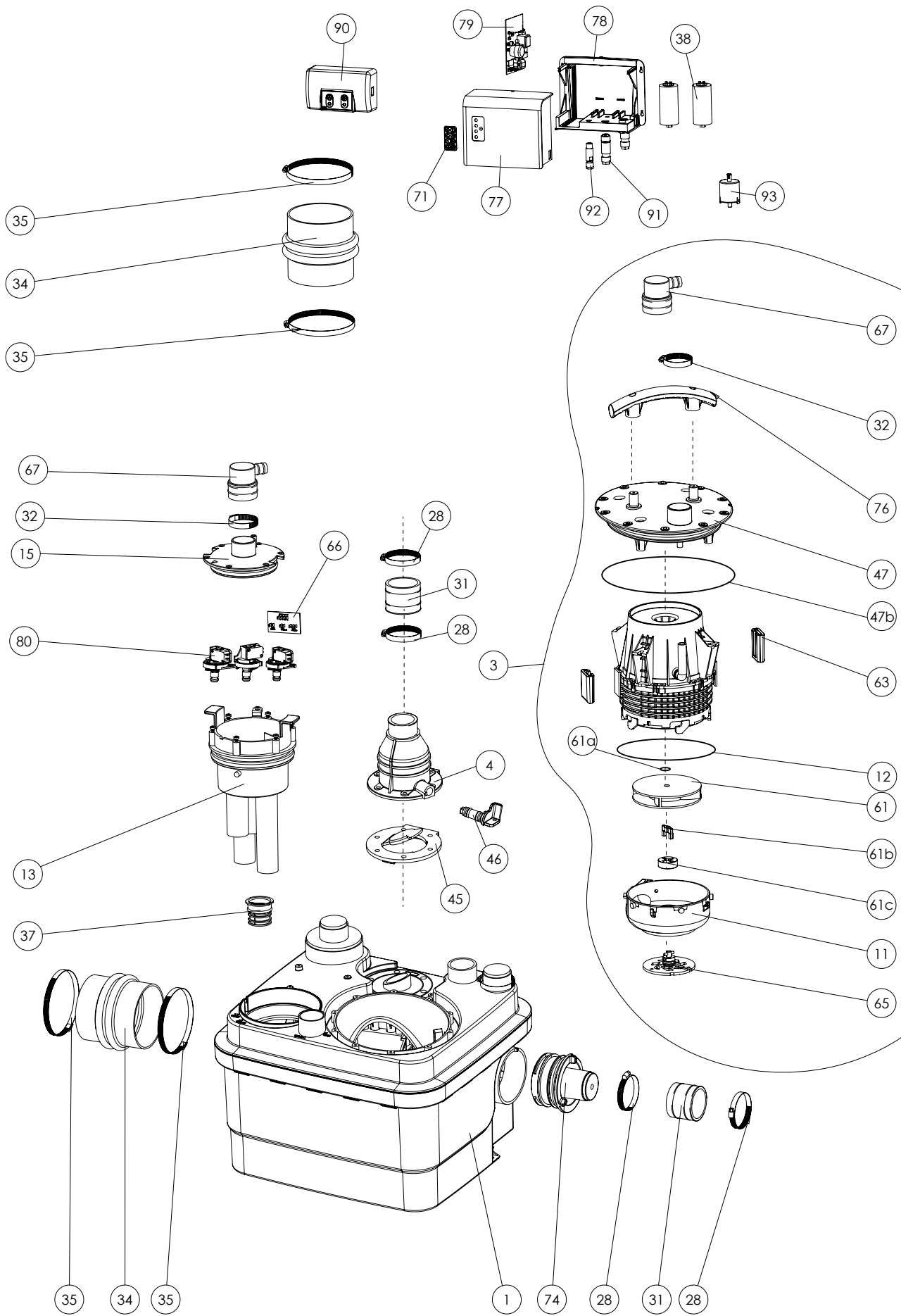


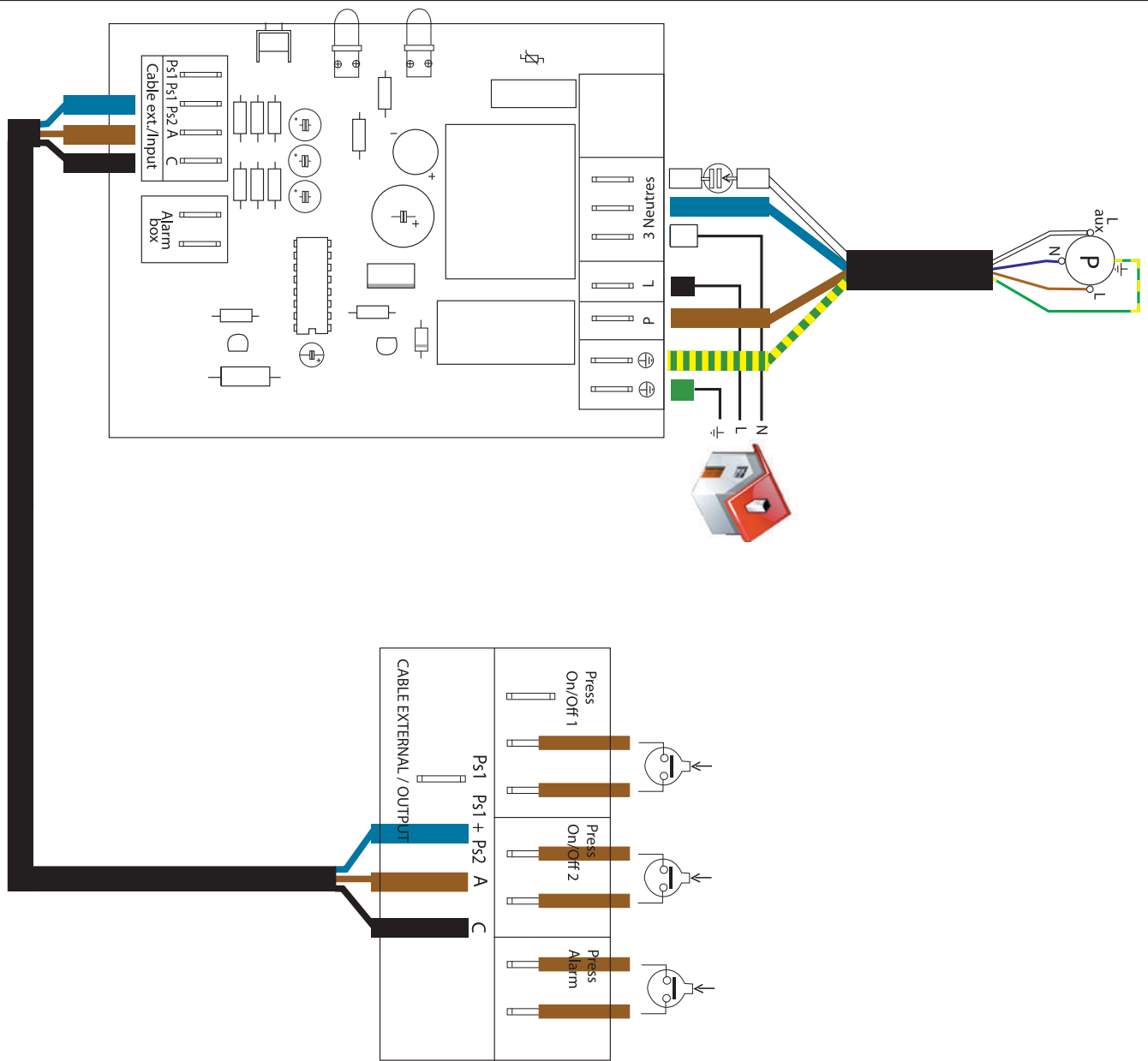
2



3







For service or for further inquiries, please call or contact one of the following addresses:
 Pour le service et d'autres demandes de renseignements, veuillez appeler à l'une des adresses indiquées ci-dessous :

United States
 SFA-SANIFLO INC.
 105 Newfield Avenue, Suite A
 Edison, NJ 08837

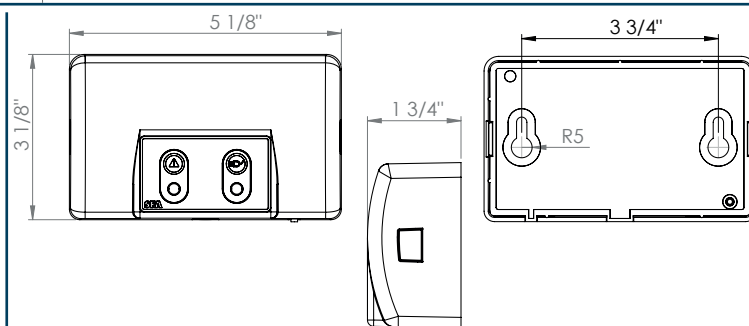
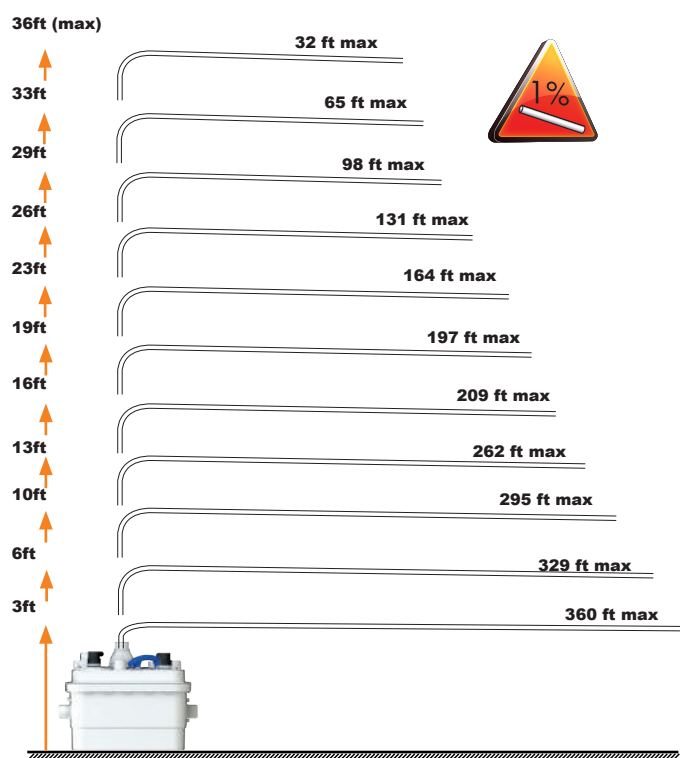
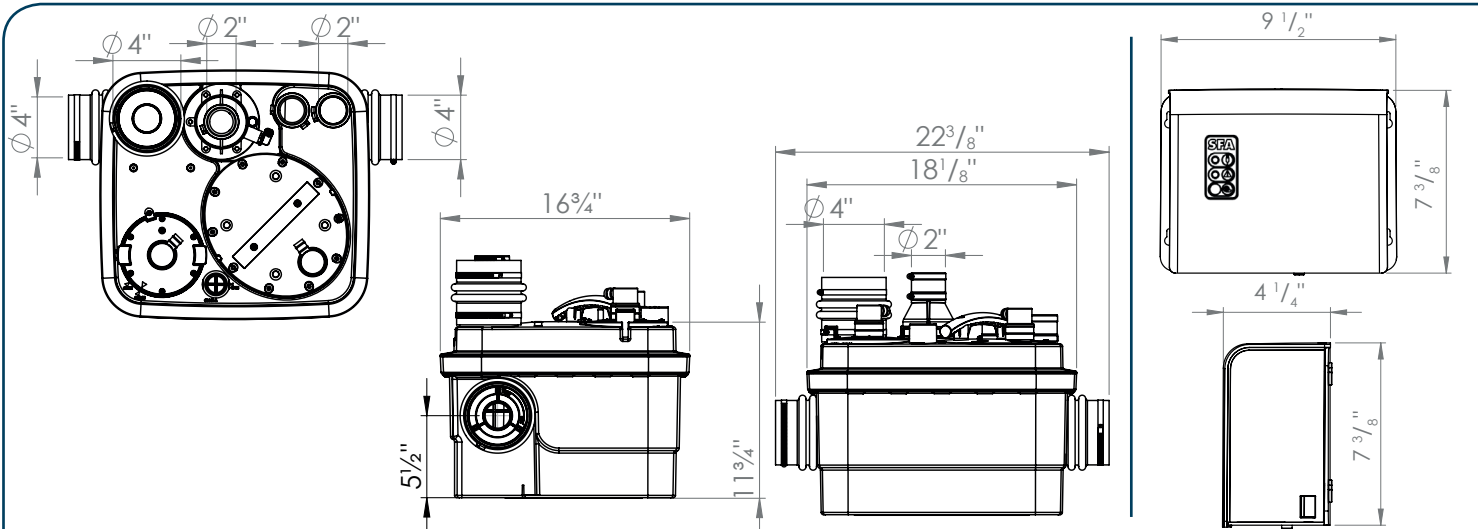
Toll Free: 1-800-571-8191

Phone: 1-732-225-6070
 Fax: 1-732-225-6072
 E-mail.: sfsales@saniflo.com
 Website: www.saniflo.com

Canada
 SFA-SANIFLO INC.
 500 Jamieson Parkway, Unit 5
 Cambridge, ON N3C 0G5

Toll Free : 1-800-363-5874

Phone: 519-824-1134
 Fax: 519-824-1143
 E-mail: sales@saniflo.ca or/ou ventes@saniflo.ca
 Website: www.saniflo.ca or/ou www.saniflo.ca/fr



SANICUBIC 1 IP68

**220-240V - 60Hz - 6A
or 120V- 60Hz - 10A**

1HP - CLASS 1 

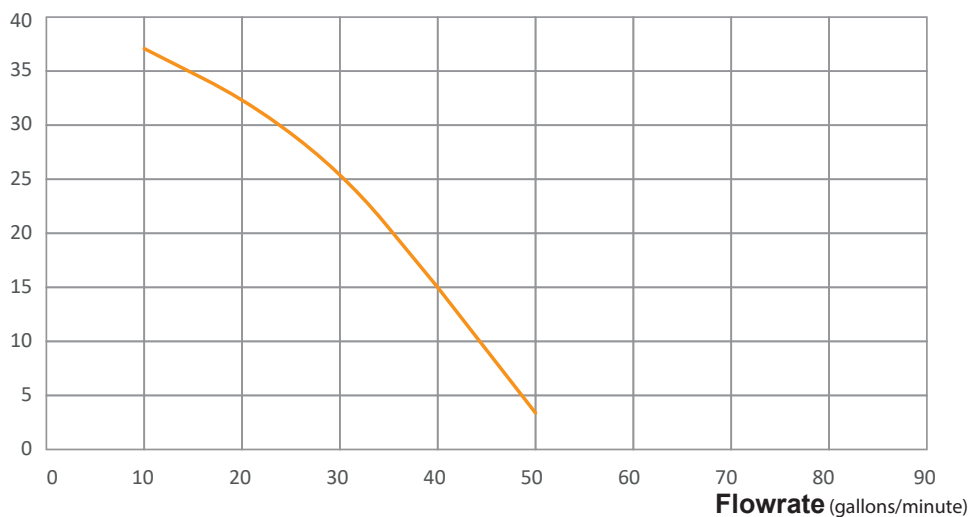


IP68 - 45 Lb

**Max temperature 158°F (70°C)
(Max. 5 Mins)**

Tank volume : 8.5 Gallons

Discharge height
(feet)

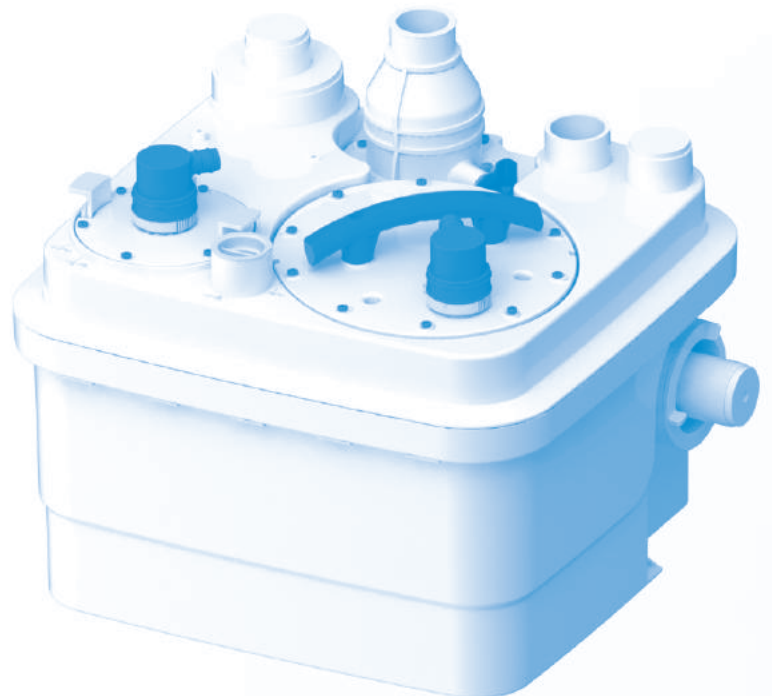


CUBICNM
04.18

SFA

SANICUBIC®

SANICUBIC® 1
SANICUBIC® 2








Operating / installation manual • Manuel d'utilisation/d'installation

1 SAFETY

ATTENTION

This device may be used by children who are at least 8 years old, by people with reduced physical, sensory or mental capacities or those without knowledge or experience, if they are properly supervised and if the instructions relating to using the device completely safely have been given to them and the associated risks have been understood. Children must not play with the device. Cleaning and maintenance undertaken by the user must not be carried out by unsupervised children.

1.1 Identification of warnings

Symbol	Meaning
 DANGER	DANGER This term defines a high risk of danger, which can lead to death or serious injury, if not avoided.
 WARNING	WARNING This term defines a hazard which could cause a risk to the machine and its operation, if it is not taken into account
	Dangerous area This symbol, in combination with a keyword, characterizes hazards that could lead to death or injury.
	Dangerous voltage This symbol, in combination with a keyword, characterizes dangers associated with the voltage and provides information on voltage protection.
 WARNING	Property damage This symbol, in combination with the keyword WARNING , characterizes dangers to the machine and its proper operation.

1.2 General points

This operating and installation manual contains important instructions to follow for the fitting, operation and maintenance of the SANICUBIC® pumping station. Following these instructions guarantees safe operation and prevents injury and property damage.

Please follow the safety instructions in every section.

Before fitting and commissioning the pumping station, the qualified installer/user concerned must read and understand all these instructions.

1.3 Intended use

Only use the pumping station in the fields of application described in this documentation.

- The pumping station must only be operated in technically perfect conditions.
- Do not use a partially assembled pumping station.
- The pumping station must only pump the fluids described in this documentation.
- The pumping station must never operate without fluid.
- Contact us for operating modes not described in this documentation.
- Never exceed the usage limits defined in the documentation.
- The safe use of the pumping station is only guaranteed if used as intended (=> section 5.2).

1.4 Safety instructions for maintenance, inspection and installation

- Any alteration or modification of the pumping station will void the warranty.
- Only use original parts or parts recognized by the manufacturer. The use of other parts may void the manufacturer's liability for any resulting damage.
- The operator must ensure that all maintenance, inspection and installation work is carried out by qualified plumber having previously studied this operating and installation manual.
- Before working on the pumping station, switch it off and unplug the pumping station's power plug.
- You must follow the procedure for shutting down the pumping station described in this operating manual.

- Pumping stations discharging fluids that may be harmful to health must be decontaminated. Before restarting the pumping station, follow the commissioning instructions. (⇒ section 5.1)
- Keep unauthorized people (children, for example) away from the pumping station.
- Never exceed the usage limits defined in the documentation.
- Follow all the safety precautions and instructions in this operating and installation manual.

This operating manual must always be available on site so it can be accessed by qualified staff and the operator.

1.5 Risks and consequences of non-compliance with the operating manual

Failure to comply with this operating and installation manual will result in the loss of warranty rights.

2 TRANSPORT / TEMPORARY STORAGE / RETURNS / DISPOSAL

2.1 Receiving inspection

- When receiving goods, check the condition of the pumping station's packaging.
- In case of damage, note the exact damage and immediately notify the dealer in writing.

2.2 Transport

DANGER

- Dropping the pumping station
Risk of injury if the pumping station is dropped!
- ▷ Keep the pumping station horizontal when moving it.
 - ▷ Observe the indicated weight.
 - ▷ Never suspend the pumping station by the power cord.
 - ▷ Use suitable means of transport.

- ✓ The pumping station has been inspected to make sure there is no damage due to transport.


Choose suitable means of transport according to the weight table
Table 1: Weight of the pumping station

Model	Gross Weight (including packaging and accessories) [lbs]
SANICUBIC® 1	44 lbs
SANICUBIC® 2	78 lbs

2.3 Temporary storage / Packaging

In the case of commissioning after an extended storage period, take the following precautions to ensure storage of the pumping station:

WARNING

-  Wet, dirty or damaged openings and junction points. Leaks or damage to the pumping station!
- ▷ Clear the pumping station's blocked openings at the time of installation.

2.4 Returns

- Properly drain the pumping station.
- Rinse and decontaminate the pumping station.

2.5 Disposal

The device must not be disposed of as household waste and must be disposed of at a recycling point for electrical equipment. The device's materials and components are reusable. The disposal of electrical and electronic waste, recycling and recovery of any form of used appliances contribute to the preservation of our environment.



DESCRIPTION

3.1 General description

This device is a compact pumping station. SANICUBIC® 1 is a pumping station specially developed for individual use (detached house or small commercial premises). SANICUBIC® 2 is a pumping station specially developed for individual, commercial and small community use (small buildings, shops, public places).

3.2 Scope of supply

Depending on the model, the following components are provided:

- Sump tank with 1 or 2 pumps and 3 level sensors
- Wired remote control box
- Wired alarm unit
- Check valves
- Mounting kit (screws, pegs)
- Connecting sleeves for inlet, discharge and ventilation piping
- Clamps for the connecting sleeves

3.3 Rating plate

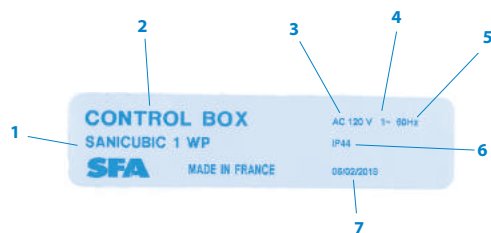
Examples:

Pumping station



- 1 Name of the lifting station
- 2 Power supply
- 3 Frequency
- 4 Protection index
- 5 Date of production
- 6 Identification number
- 7 Type of certification

Control box



- 1 Name of the pumping station
- 2 Name of the control box
- 3 Power supply
- 4 Phase type
- 5 Frequency
- 6 Protection index
- 7 Date of production

3.4 Design and operating mode

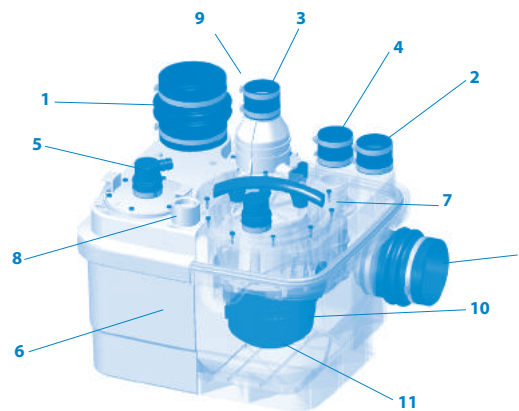


Table 2: SANICUBIC® 1

1	Inlet	Ø 1 1/2" or 4"
2	Inlet	Ø 1 1/2"
3	Waste pipe	Ø 1 1/2"
4	Ventilation opening	Ø 1 1/2"
5	Level sensor (dip tube)	
6	Tank	
7	Access panel	
8	Control opening	
9	Built-in check valve	
10	Engine-pump assembly	
11	Shredding system	

The pumping station is equipped with several horizontal and vertical inlet openings for 1 1/2" or 4" outside diameter piping (1) and 1 1/2" outside diameter piping (2). The engine-pump assembly (10) carries the pumped fluid in the vertical discharge piping with an outside diameter of 1 1/2" (3). The ventilation duct (4) allows the tank to always remain at atmospheric pressure.

Operating mode:

Effluents enter the pumping station through the horizontal and vertical inlet openings (1) (2). They accumulate in a gas-tight, smell-proof and watertight plastic tank (6). Controlled by a level sensor (5) and a control box, effluents are shredded by the shredding system (11) and automatically pumped, when they reach a certain level in the tank, by one or two pumps, depending on the model, (10) above the back-flow level to flow into the discharge line.

- SANICUBIC® 1 contain one pump equipped with a high-performance shredding system.

- SANICUBIC® 2 contain two independent pumps. Each of these pumps is equipped with a high-performance shredding system. Both pumps operate each in turn, alternately. In case of abnormal operation, both engines run simultaneously (or if one pump fails, the other takes over).

Level sensor / Dip tube:

• 2 Long dip tubes

During normal operation, as soon as the effluents reach the long tube's actuation level in the tank, the pumping system switches on.

• Short dip tube

During abnormal operation, if the effluents reach the highest level in the tank (short tube), an audible and visual alarm system is activated and the pumping system switches on (if it is not faulty).

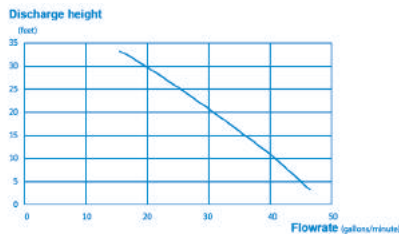
3.5 Technical data

Submersible pumping stations for blackwater

SANICUBIC® 1

Type of current	Single-phase
Power/Electrical information	120V/60Hz/10A/1300W or 220-240V/60Hz/6A/1500W
Motor - Pump	Thermal overload protection Class F insulation
Type of pump	Shredding by blade-plate
Cable station – control box	13 feet - H07RN-F-4 G 1.5
Control box cable – socket	8 feet - H05VV-F-3 G 1.5
Protection Station: SANICUBIC® 1:	IP68
Control box:	IPX4
Max. recommended height	36 feet
Max. flow	50 Gal/Min
Max. temperature of incoming wastewater	158 °F (Max. 5 min.)
Tank volume	8.5 gallons
Usefull volume	2.6 gallons
Height of low inlets (from the ground)	5 1/2"
Gross Weight [lbs]	44 lbs
Waste pipe	Ø 1 1/2"
Inlet	Ø 1 1/2" or 4"
Ventilation	Ø 1 1/2"

Flow curve

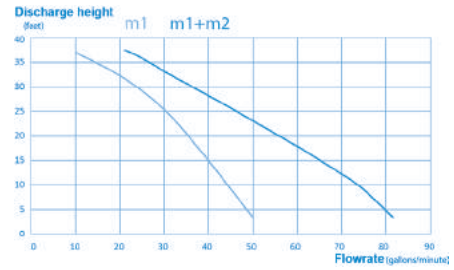


SANICUBIC® 2

Type of current	Single-phase
Power/Electrical information	220-240V/60Hz/13A/ 2 x 1 HP
Motor - Pump	Oil bath cooled Thermal overload protection Class F insulation
Type of pump	Shredding by blade-plate
Cable station – control box	13 feet - H07RN-F-4 G 1.5
Control box cable – socket	8 feet - H05VV-F-3 G 1.5
Protection Station:	IP68
Control box:	IPX4
Max. recommended height	36 feet
Max. flow	90 Gal/min
*Both motors in operation	90 Gal/min
Max. temperature of incoming wastewater	158 °F (Max. 5 min.)
Tank volume	12 gallons
Usefull volume	4.6 gallons
Height of low inlets (from the ground)	5 1/2"
Gross Weight [lbs] (including packaging and accessories) SANICUBIC® 2:	78 lbs
Waste pipe	Ø 1 1/2"
Inlet	Ø 1 1/2" or 4"
Ventilation	Ø 1 1/2"

Volume units of measurement : Gal (US)/min

Flow curve



3.6 Control box

⚠ DANGER
Submersion of the control device
Risk of death by electric shock
▷ Only use the control device in rooms safe from floods

SANICUBIC® remote control box

- Pump control and monitoring cabinet integrated into a compact plastic housing
- For 1 or 2 pumps
- Option of forced mode

3.6.1 Electrical characteristics

Table 3: Electrical characteristics of the control box

Parameter	Value
Nominal power supply	120V or 220-240V
Network frequency	60 Hz
Protection index	IPX4
Nominal current per engine	SANICUBIC 1 : 6A (220-240V version) or 10A (120V version) SANICUBIC 2 : 13A

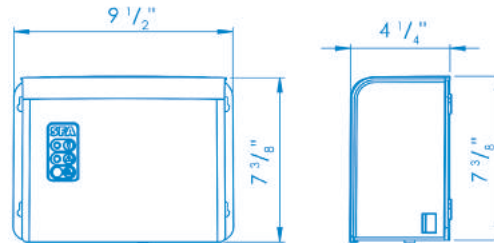
3.6.2 Technical characteristics of the detection device

Analogue level sensor:
• Input voltage 0 - 5 V

Process outputs:

- One potential-free signalling output (250 V, 16 A) NO Contact
- One signalling output for the wired alarm unit that comes with the device (except SANICUBIC® 2): 5V, 50mA

3.6.3 Dimensions of the remote control box

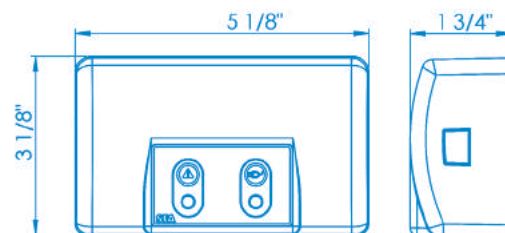


3.7 Alarm unit

3.7.1 Technical characteristics of the alarm device

SANICUBIC® alarm unit:
Wired alarm unit
16' cable
Audio and visual information
Protection index: IP20

3.7.2 Dimensions of the remote alarm unit

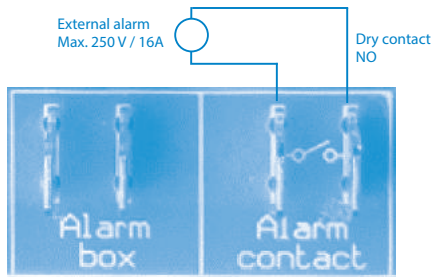


3.7.3 Option of connection to an external alarm

Option of externalizing the alarm signal (depending on the model). Dry contact (no voltage) NO (normally open) operated by a max. 250V/16A relay.

The terminals can be connected to a powered system.

This contact closes as soon as the station is in alarm mode (except in the case of area alarm) and remains closed as long as the alarm sounds.



3.8 Sump tank

The sump tank is designed for pressure-free operation. Wastewater is collected there at atmospheric pressure before being discharged to the sewer. The ventilation duct allows the tank to always remain at atmospheric pressure.

3.9 Pumped fluids

! DANGER

Pumping unauthorized fluids
Dangerous for people and the environment!
▷ Only discharge authorized pumped fluids in the public sewerage network

Authorized pumped fluids:

The following liquids are allowed in discharge systems:

Water contaminated by domestic use, human excrement.

Unauthorized pumped fluids:

The following liquids and substances are banned:

- Solid materials, fibres, tar, sand, cement, ash, coarse paper, hand towels, wipes, cardboard, rubble, rubbish, slaughterhouse waste, oils, greases, etc.
- Wastewater containing harmful substances (for example, untreated greasy waste from restaurants). Pumping these liquids and substances requires the fitting of a compliant grease trap.
- Rain water.

3.10 Noise level

The noise level depends on the fitting conditions and operating point. This sound pressure level L_p is less than 68 dB (A).

4 INSTALLATION / FITTING

4.1 Installing the pumping station

- The characteristics shown on the rating plate have been compared with those on the order and installation (supply voltage, frequency).
- The installation room must be protected against frost.
- The installation room is adequately lit.
- The work has been prepared in accordance with the dimensions shown in the example installation.
- The plant room where the SANICUBIC® will be installed must be large enough to allow a 24 in clearance around and above the device to facilitate maintenance.
- The alarm signal is always visible to the user (if necessary, use an external alarm contact switch).
- Isolating valves (not provided) must be fitted on the effluent inlet as well as on the discharge line, as close as possible to the pumping station.
- The discharge line must be designed to prevent any back-flow of sewage. By fitting a non-return loop, located above the back-flow level, back-flow is avoided.

Comment: In the absence of local information to the contrary, the maximum back flow level corresponds to street level - roadway, pavements etc. Extend this line after the non-return loop through a larger diameter pipe.

- The installation of an auxiliary pump for possible drainage of the plant room (for floods) is recommended.
- The pumping station must be ventilated above the roof.

• The pumped fluid is appropriate and authorized by this documentation. (section 3.9)

• In case of discharge of greasy effluents, the use of a degreasing tank is essential.

Wastewater other than those mentioned above, for example, of artisanal or industrial origin, must not be discharged into the pipes without prior treatment.

4.2 Electrical connection

! DANGER

Electrical connection work performed by an unqualified individual. Risk of death by electric shock!

▷ The electrical connection must be performed by a qualified and licensed electrician.

▷ The electrical installation must meet the current standards in the country

! WARNING

Wrong supply voltage. Damage to the pumping station!

▷ The supply voltage must not differ by more than 6% of the rated voltage specified on the rating plate.

The power supply must be class 1. The device must be connected to an earthed junction box. The electrical power supply must be protected with a high sensitivity circuit breaker set to 10 Mini Amps for SANICUBIC® 1 and 20 Mini Amps for SANICUBIC® 2. This connection must be used exclusively for the SANICUBIC® power supply. If the cord of this device is damaged, it must be replaced with original equipment manufacturer parts by a qualified licensed electrician.

4.3 Fitting the pumping station

Fit the pumping station on the bare ground and level it with a bubble level.

To avoid any risk of the pumping station floating, attach it to the ground using the mounting kit provided.

! NOTE

Fitting the pumping station on anti-vibration mounts ensures sufficient insulation against structure-borne sound with respect to the pumping station. Do not fit the pumping station in direct contact with the walls to avoid transmission of the pumping station's vibrations

4.4 Pipe connections

4.4.1 Inlet pipes

! DANGER

▷ The pumping station must not be used as a control point for piping.

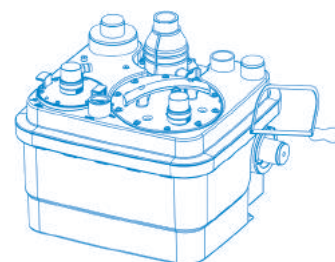
▷ Prop up the pipes upstream from the pumping station. Make connections without constraints.

▷ Use suitable means to compensate for thermal expansion of the piping.

! NOTE

It is recommended that you mount check valves and isolating valves on the inlet pipes. These must be mounted so that they do not hinder disassembly of the pumping station.

- ✓ The piping is supported.
1. Choose the connection openings to use.
 2. Cut the tip of the corresponding inlet with a saw.





NOTE

All piping connections must prevent the propagation of noise and be flexible.

4.4.2 Discharge piping

WARNING

Improper fitting of the discharge pipe. Leaks and flooding of the installation room!

- ▷ Run the discharge line above the back-flow level before connecting to the sewer.
- ▷ The pumping station must not be used as a control point for piping.
- ▷ Do not connect other drain pipes to the discharge pipe.
- ▷ Fit isolation valves to inlets and discharge pipework.
- ▷ Tightening torque : secure in place with metal clamps / Use a 7mm (1/4") Socket Wrench and not a flat screwdriver (min. torque 22 lbf·in) for the metal clamps, securing the 1-1/2" coupling.



NOTE

To prevent the risk of back-flow of water from the sewer, install the discharge pipe in a «loop» so that its base, at the highest point, is located above the back-flow level.



Fit a shutoff valve behind the check valve.
The check valves are equipped with a lever for emptying the discharge pipe into the tank.

4.4.3 Ventilation pipe

WARNING

Insufficient ventilation. Risk that the pumping station will not work!



- ▷ Ventilation must remain free
- ▷ Do not block the vent outlet
- ▷ Do not install one-way vent systems.

It must be equipped with a vent above the roof. The pumping station must always be ventilated so that the tank is always at atmospheric pressure. The ventilation must be completely free and air must flow in both directions (no studor, mechanical or one-way vents).

The vent pipe must not be connected to the vent pipe on the inlet side of a grease trap.

Connect the Ø 1 1/2" vent pipe (depending on the model) vertically to the vent opening with the flexible couplings. The connection must be smell-proof.

5 COMMISSIONING / DECOMMISSIONING

5.1 Commissioning

5.1.1 Prerequisites for commissioning

Before commissioning the pumping station, make sure that the electrical connection for the pumping station and all protective devices has been correctly performed.

5.2 Application limit

DANGER



- ▷ Pressure and temperature limits exceeded. Leakage of hot or toxic fluid!
- ▷ Observe the operating specifications in the documentation.
- ▷ Avoid running the pump with the valve closed.
- ▷ Dry running, without pumped fluid, must be avoided.

When in use, observe the following parameters and values:

Parameter	Value
Max. allowed temperature of the fluid	104 °F up to 158 °F when pumped 5 minutes max.
Max. room temperature	122 °F

5.3 Starting frequency

To prevent engine overheating and excessive stress on the engine, seals and bearings, limit the number of starts to 60 per hour.

5.4 Commissioning with the control box

DANGER



- ▷ The control box cover is not properly closed. Risk of death!
- ▷ Properly close the control box cover.
- ▷ Then reconnect the power plug.

Operations required for commissioning

1. Perform a functional and sealing test of the pumping station: Once the hydraulic and electrical connections are made, check the connections for leaks by running water successively through each inlet used. Ensure the device is operating properly and there are no leaks by performing a water test and observing several start cycles.
2. Check the various points on the checklist (⇒ section 7.6)
3. Warning: Do not run the motor in forced mode (by pressing the key on the keypad) before putting the pump in water. Dry running damages the grinding system.

5.5 Decommissioning

1. Close the valves on the inlet and discharge pipes.
2. Drain the tank by pressing the forced mode button on the pump.
3. Switch off the electrical power supply and disconnect the installation.

DANGER



- ▷ The current is not cut. Risk of death!
- ▷ Unplug the plug or disconnect the electrical conductors and take the steps required to avoid inadvertent operation.

4. Inspect the hydraulic parts and shredding blades (depending on the model). Clean them if necessary.
5. Clean the tank.

DANGER



- ▷ Pumped fluids and secondary consumable materials that are harmful to health. Dangerous for people and the environment!
 - ▷ Pumping stations used to discharge fluids that may be harmful to health must be decontaminated.
- If necessary, wear a mask and protective clothing.
- ▷ Observe current legal provisions for the discharge of fluids harmful to health.

6 OPERATION

6.1 SANICUBIC® Control box



NOTE

This paragraph describes the operation of a control box for two pumps. The control box is operated in a similar manner for one pump.

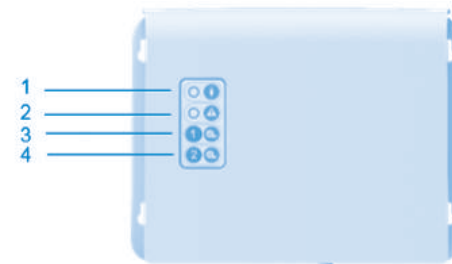


Table 4: SANICUBIC® remote control box

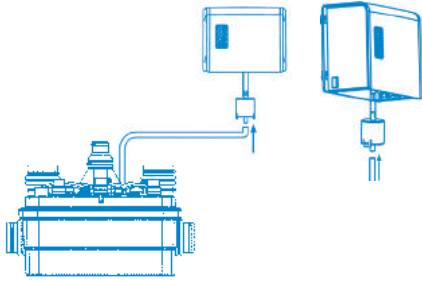
1	Yellow mains supply LED
2	Red alarm LED
3	Forced mode Engine 1
4	Forced mode Engine 2

LED lamps

The LED lamps provide information on the operating state of the control box:

The detection system must be vented. Connect the vent hose to the station's control box.

Figure 2: Ventilation of the SANICUBIC® control box



6.1.1. Operation of the SANICUBIC® 1 control remote box (IP68)

1/ General alarms:

Level alarm:

If the water level inside the device is abnormally high, the alarm LED lights up red + engine starts up. Furthermore, if this LED **flashes** red, it indicates a detection problem for the normal water level (Long dip tube).

Time alarm:

If the motor runs continuously for more than 1 minute, the red alarm LED lights up.

2/ Alarm reset: The button on the keypad will only allow you to turn off the red LED (it will turn green) if the problem that triggered the alarm has been resolved. It also allows you to stop the ringing of the remote alarm control.

Mains alarm:

- If the LED is off, there is no power supply.
- When the device is powered on again, the LED flashes green, indicating that the mains voltage has temporarily disappeared.

6.1.2 Operation of the SANICUBIC® 2

OPERATION OF THE ALARM

1/ General alarms:

Level alarm:

If the water level inside the device is abnormally high: the siren is triggered + the red alarm LED lights up + both motors start-up. If this LED flashes red, it indicates a detection problem for the normal water level (Long dip tube).

Time alarm:

If one of the two motors runs for more than 1 minute: the siren is triggered + the red alarm LED lights up + the other engine starts-up.

Mains alarm:

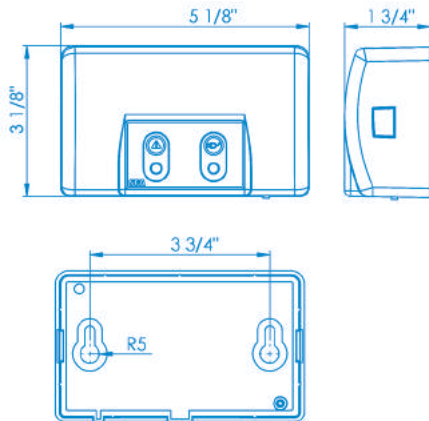
In case of power failure (or when unplugging the device): the siren is triggered + the red alarm LED lights up + the yellow mains LED blinks.

2/ General alarm reset:

If the problem that triggered one of the alarms above disappears, the siren stops, but the red alarm LED remains lit as a reminder of the fact that the system encountered a problem. Either of the two keypad keys will stop the siren in all cases, but it will only turn off the red LED if the problem that triggered the alarm has been resolved. Alarms from the remote box will also remain active until the problem has been solved. This prevents the system from being «abandoned» by default.

6.2 SANICUBIC® alarm unit

To wall mount the unit, use the following figure as a guide:



6.2.1 Operation of the SANICUBIC® 1 / SANICUBIC® 2 wired alarm unit

The SANICUBIC® alarm unit does not require a separate power supply. The power is supplied through the SANICUBIC®. In case of power failure, the alarm unit's battery takes over.

Connection of the alarm unit to the device:

Connect the alarm cable directly to the unit.

1/ The red general alarm LED reproduces the operation of the red LED on the base card. The alarm unit sounds in the event of an alarm as long as the fault is present. To stop the alarm, press the reset (*) button on the device's keypad or the button under the alarm unit.

2/ The yellow «mains» LED indicates the power status of the alarm unit
 -Steady light = live SANICUBIC® connected to the mains supply
 -Flashing = power failure on the SANICUBIC®

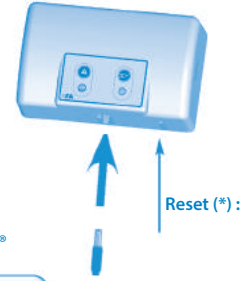


Table 5: SANICUBIC® 1 / SANICUBIC® 2 alarm unit

1	Red general alarm LED
2	Yellow mains alarm LED (power supply indicator)

6.3 Messages and faults

Table 7: Messages and faults:

Alarm on the device SANICUBIC® 1:
 Green LED: station live

Alarm on the device SANICUBIC® 2: Yellow LED: station live

ANOMALY DETECTED	CAUSES PROBLEMS	SOLUTIONS
Flashing red alarm LED	<ul style="list-style-type: none"> • Water level detection system faulty 	<ul style="list-style-type: none"> • Consult SFA after-sales service
Steady red alarm LED	<ul style="list-style-type: none"> • Clogged vent pipe • Clogged drain line • Blocked or out of order pump • Discharge too high or excessive inflow 	<ul style="list-style-type: none"> • Check that air flows freely in both directions in the vent pipe • Go over the installation again • Consult SFA after-sales service
LED off	<ul style="list-style-type: none"> • Mains failure • Faulty electronic board 	<ul style="list-style-type: none"> • Check the electrical system • Consult SFA after-sales service

7 MAINTENANCE

7.1 General information / Safety instructions

DANGER



Work performed on the pumping station by unqualified staff. Risk of injury!

- ▷ Repairs and maintenance must be performed by specially trained staff
- ▷ Observe the safety and basic instructions.

DANGER



Pumped fluids and secondary consumable materials that are harmful to health. Dangerous for people and the environment!

- ▷ Pumping stations used to discharge fluids that may be harmful to health must be decontaminated.
- If necessary, wear a mask and protective clothing.
- ▷ Observe current legal provisions for the discharge of fluids harmful to health.

7.2 Maintenance and inspection operations

DANGER



Work on the pumping station without adequate preparation. Risk of injury!

- ▷ Properly stop the pumping station and secure it against inadvertent operation.
- ▷ Close the inlet and discharge valves.
- ▷ Drain the pumping station.
- ▷ Close any auxiliary connections.
- ▷ Allow the pumping station to cool to room temperature.

Pumping stations must be maintained and repaired to ensure the proper disposal of wastewater and to detect and eliminate malfunctions at an early stage.

The proper functioning of pumping stations must be checked by the user once a month by observing at least two operating cycles.

The inside of the tank should be checked from time to time and deposits, especially around the level sensor, should be removed, if necessary

Maintenance of the pumping station must be performed by qualified staff.

The following intervals should not be exceeded:

- 3 months for pumping stations for industrial use
- 6 months for pumping stations for small communities
- 1 year for domestic pumping stations

7.3 Maintenance contract

As with any technical, high-performance equipment, SANICUBIC® pumping stations must be maintained to ensure a sustainable level of performance. We recommend you take out a maintenance contract with a qualified company to carry out regular inspection and maintenance work. For more information, please contact us.

7.4 Emergency service with a single pump

NOTE



If emergency service must be ensured during maintenance and inspection work, perform the following steps.

1. Close the valves on the inlet and discharge sides.

Warning: The incoming feed for inlets must be minimised while performing maintenance

2. Turn off the power supply.

7.5 Checking the hydraulics of each motor

- Make sure its blade and plate are not blocked or damaged.
- Make sure the turbine rotates freely
- Make sure the hydraulic parts are clean. Clean them if necessary.

In case an motor is not working properly, it is possible to “disable” the use of this motor by switching the corresponding “switch” on the main card to indicate the absence of the corresponding motor. The card will only work with the valid motor - SW1: switch 1 and 2 for motor 1 (left) and 2 (right).



NOTE: If both switches are lowered (off position), abnormal situation, the card will be in alarm mode when power is restored

7.5.1 General information

Inspect the tank, check for possible deposits, the presence of grease and foreign bodies. Thoroughly clean the tank and remove foreign bodies.

7.5.2 Disassembling the motor

1. Unscrew the motor hatch from the tank cover (10 screws).
2. Use the handle to gently lift the motor. If the defective motor is to be returned to the manufacturer, the pumping station can provide a minimum service with one single motor.
3. Unscrew the screws of the faulty motor from the hatch.
4. Put the hatch back in position.

7.5.3 Disassembling and inspection of the compression chambers and level sensors:

1. Unscrew (1 screw), unlock and lift the pressure switch from the cover.
2. Check that the funnels are not obstructed (grease, faecal matter etc.). Clogged compression chambers indicate that the device has not been properly maintained. It is recommended to clean the device at least every 6 months.
3. If necessary unplug the compression chambers.

7.5.4 Reassembly of the level sensors

Warning: Do not grease the level sensors' O-rings before reassembly.

1. Fully insert the level sensor in the compression chamber.
2. Screw the level sensor onto the cover.

7.5.5 Reassembly

During reassembly, observe the following points:

To reassemble the pump, observe the rules applicable to engineering goods. Do not over-tighten the screws on plastic parts (risk of breaking the plastic) and clamps.

Clean all disassembled parts and check their wear.

Replace damaged or worn parts with original spare parts.

Ensure that the sealing surfaces are clean and the O-rings are properly installed.

7.6 Checklist for commissioning / inspection ① and maintenance ②

Operations	Required for	
Read the operating manual.	①	②
Check the power supply. Compare the values with those of the rating plate.	①	②
Check the connection of the power supply to the earth.	①	②
Check the connection of the power supply to a 30 mA GFCI breaker.	①	②
Check the proper operation of the motors by pressing the forced mode buttons. If abnormal, make sure the pump is not clogged, check the resistance values of the engine coils.	①	②
Check the sump tank. Clean the tank in case of deposits. In case of significant grease deposits in the tank from greasy wastewater from artisanal or industrial businesses, inform the customer that they must install a grease trap upstream from the pumping station.	①	②
Check the level sensors. Dismantle the pressure switches and make sure that the dip tubes are not clogged. Clean them if necessary.	①	②
Check the control mechanism. Dismantle the level sensor. Check if it is blocked or encrusted. Clean them, if necessary.	①	②
Perform a functional test over several cycles.	①	②
Check the correct installation and state of wear of the flexible couplings.	①	②
Check the proper operation and effectiveness of the alarm device.		②
Check the proper operation and seal of the stop valves and check valves.	①	②
If applicable, identify the necessary spare parts.	①	②
Advise and/or train operating staff.	①	②

NOTE



Before working inside the pump during the warranty period, you must consult the manufacturer. Our after-sales service is available to you. Failure to comply leads to the loss of rights to damages.

⚠ DANGER



Inappropriate work aiming to eliminate malfunctions. Risk of injury!
▷ For all work intended to eliminate malfunctions, follow this operating manual's instructions and / or the manufacturer's documentation for the relevant accessories.

NOTE



After every flood, the pumping station should be inspected.

NOTE



After an incident, subject the pumping station to functional test and visual inspection.

For any problem not described in the table below, contact Saniflo after-sales service.

Problems encountered:

- A The pump does not flow
- B Insufficient flow
- C Excessive current / power consumption
- D Insufficient manometric delivery head
- E Irregular and noisy operation of the pump
- F Frequent faults reported by the pumping station
- G Overflow of the pumping station
- H Untimely start

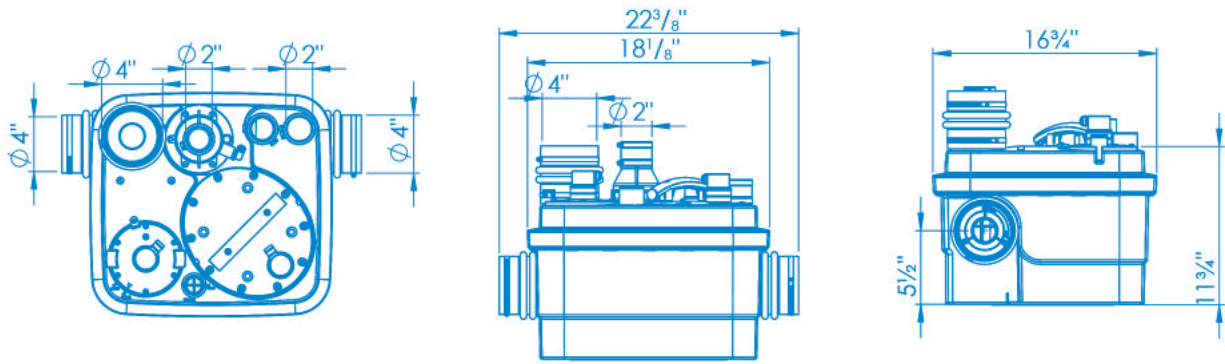
Before working on pressurised components, reduce the pressure inside the pump! Disconnect the pump from the electrical power supply.

8. Incidents: causes and solutions

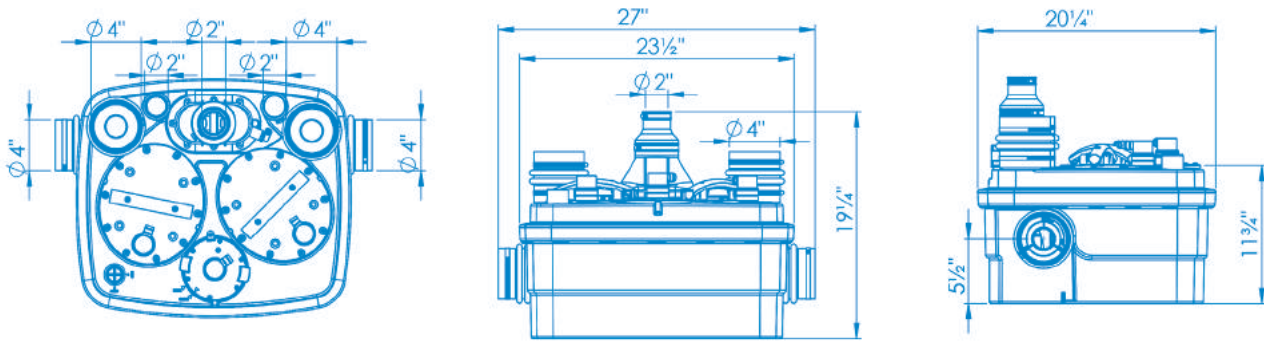
A	B	C	D	E	F	G	H	Possible cause	Solutions
-	✗	-	-	-	✗	-	-	Pump flows against excessive pressure.	The size of the pumping station is insufficient for these operating conditions.
-	✗	-	-	-	✗	-	-	The discharge valve is not fully open.	Open the valve to the maximum.
✗	-	-	-	-	✗	-	-	The pumping station is not ventilated.	Check the pumping station's vent pipes
-	✗	-	✗	✗	✗	-	-	Inlet pipes or wheel clogged.	Remove deposits in the pump and/or piping.
-	-	✗	-	✗	✗	-	-	Presence of deposits / fibres in the wheel. The rotor does not turn freely.	Check if the wheel turns freely without blocking. If necessary, clean the pump.
✗	-	-	-	-	✗	✗	-	The engine is off.	Check the electrical installation (and fuses).
✗	-	-	-	-	-	-	-	Trigger of the thermal protection due to excessive temperature.	The engine automatically restarts after cooling.
-	✗	-	-	-	✗	-	-	Deposits in the sump tank.	Clean the sump tank. In case of grease deposits, make sure there is a grease trap.
-	-	-	-	-	✗	-	✗	The check valve is leaky.	Clean the check valve.
-	-	-	-	-	✗	-	-	Vibrations in the installation.	Check the flexible pipe connections.
✗	-	-	-	-	✗	✗	✗	Faulty, dogged, pulled out or improperly inserted level sensor.	Check the level sensor. Clean or replace it, if necessary.
-	-	-	-	✗	-	-	-	Faulty capacitor	Replace the capacitor
-	✗	-	✗	-	-	-	-	In the case of three-stage installation: 2 phases may be inverted. To check, visually look at the motor rotation direction by dismantling the motor.	With the connection, inverse 2 power cable phases (5 wires).

APPENDICES

SANICUBIC 1 - sizing diagram



SANICUBIC[®] 2 - sizing diagram





LIMITED WARRANTY

2 Year Warranty from Date of Purchase

Subject to the terms and conditions set out below, SFA-SANIFLO INC., (hereafter designated the as the Company) warrants that it will repair or replace the product or any of its component parts, at the Company’s discretion if it deems that the product or part it is defective or does not meet the rated performance due to a manufacturing or material default.

If replacement is to be issued, this will only be extended to the first year starting from the date of purchase. Warranty repairs will apply after such date up to the warranty’s date of conclusion.

TERMS AND CONDITIONS

The conditions of this warranty are the following:

- The product must be installed in accordance with the use described in the enclosed manuals.
- The product must be connected to a single phase 120V, 60Hz electrical outlet and wa not subject to any negligence, accident or exposure to harmful products or substances.
- The alleged defect or fault must be reported either to the installer or to the Company during the warranty coverage period.
- The warranty coverage period is valid for 2 years.

PART OR PRODUCT EXCHANGE

The product may be exchanged without cost only at the sales outlet where it was purchased subject to the following conditions:

- The customer must have an “authorized return number” from the manufacturer in order to validate exchange.
- The customer must produce proof of purchase to validate exchange.

LIMITATIONS

1. Fill and flush mechanism are guaranteed as per OEM warranty only.
2. Vitreous china are guaranteed only for a factory defect.
3. Cost of disconnection and reconnection (ie labor charges) are not covered by the warranty and are end-users responsibility.
4. Cost of mail or freight when a part or parts of the system have to be repaired at the company are not covered by this warranty.
5. In no event shall the company be liable for any special, incidental or consequential damage, loss, or injury of whatsoever nature or kind arising from or in connection with the product or any component thereof.
6. The guarantee is transferable only when the product remains at the same premises as where it was installed initialy.

Except as set forth in this Limited Warranty, the company disclaims all other warranties, express or implied, with respect to the product or any component thereof including, but not limited to, all implied warranties for merchantability and fitness for a particular purpose

For service, returns or for further inquiries, please contact one of the following addresses:

United States

SFA-SANIFLO INC.
105 Newfield Avenue, Suite A
Edison, NJ 08837

Canada

SFA-SANIFLO INC.
500 Jamieson Parkway, Unit 5
Cambridge ON N3C 0G5

Toll Free: 1-800-571-8191
Telephone: 1-732-225-6070
Fax: 1-732-225-6072
E-mail.: sfasales@saniflo.com
Web Site: www.saniflo.com






Toll Free: 1-800-363-5874
Telephone: 1-519-824-1134
Fax: 1-519-824-1143
E-mail.: sales@saniflo.ca
Web Site: www.saniflo.ca

1 SÉCURITÉ

ATTENTION

Cet appareil peut être utilisé par les enfants âgés d'au moins 8 ans, les personnes ayant des capacités physiques, sensorielles ou mentales réduites et les personnes sans expérience ou connaissances techniques, dans la mesure où ces usages sont supervisés adéquatement et ont reçu des instructions concernant l'utilisation sécuritaire de l'appareil et les risques encourus. Les enfants ne doivent pas jouer avec l'appareil. Le nettoyage et l'entretien ne doivent pas être effectués par des enfants sans surveillance.

1.1 Identifications des avertissements

Symbole	Signification
 DANGER	DANGER Ce terme indique un danger important pouvant entraîner la mort ou une blessure grave, s'il n'est pas évité.
 AVERTISSEMENT	Ce terme indique un danger pouvant présenter un risque pour la machine et son fonctionnement, s'il n'est pas pris en compte.
	Zone dangereuse Ce symbole, accompagné d'un mot-clé, identifie des dangers pouvant conduire à la mort ou à des blessures.
	Tension électrique dangereuse Ce symbole, accompagné d'un mot-clé, identifie des dangers liés à la tension électrique et donne des informations sur la protection contre la tension électrique.
 ATTENTION	Dégâts matériels Ce symbole, accompagné du mot-clé ATTENTION , identifie des dangers pour la machine et son bon fonctionnement.

1.2 Généralités

Ce manuel d'utilisation et d'installation comporte des directives importantes à respecter pour l'installation, l'utilisation et l'entretien de la station de pompage SANICUBIC®. Le respect de ces directives permet d'assurer un fonctionnement sécuritaire et d'empêcher les dommages corporels et matériels.

Veillez respecter les consignes de sécurité indiquées à tous les paragraphes. Avant la mise en place et la mise en service de la station de pompage, le personnel qualifié et l'utilisateur concerné doivent lire et bien comprendre l'ensemble de ce manuel.

1.3 Utilisation conforme

Utiliser la station de pompage uniquement dans les domaines d'application décrits par la présente documentation.

- L'utilisation de la station de pompage doit s'effectuer uniquement en état techniquement irréprochable.
- Ne pas utiliser la station de pompage si elle n'est que partiellement assemblée.
- La station de pompage doit pomper uniquement les fluides décrits dans la présente documentation.
- La station de pompage ne doit jamais fonctionner sans fluide.
- Nous consulter pour des modes de fonctionnement qui ne sont pas décrits dans la présente documentation.
- Ne jamais dépasser les limites d'utilisation définies dans la documentation.
- La sécurité d'utilisation de la station de pompage n'est assurée qu'en cas d'utilisation conforme (=> paragraphe 5.2).

1.4 Directives de sécurité pour les travaux de maintenance, d'inspection et d'installation

- Toute transformation ou modification de la station de pompage entraîne l'annulation de la garantie.
- Utiliser uniquement des pièces d'origine ou des pièces reconnues par le fabricant. L'utilisation d'autres pièces peut annuler la responsabilité du fabricant pour les dommages en résultant.
- L'utilisateur doit veiller à ce que tous les travaux de maintenance, d'inspection et d'installation soient exécutés par un plombier qualifié, autorisé et habilité ayant préalablement étudié ce manuel d'utilisation et d'installation.
- Avant d'intervenir sur la station de pompage, la mettre à l'arrêt et débrancher la prise électrique de la station de pompage.

- Toujours respecter la procédure de mise à l'arrêt de la station de pompage décrite dans ce manuel.
 - Les stations de pompage refoulant des fluides nuisibles à la santé doivent être décontaminées. Avant la remise en service, respecter les consignes de mise en service. (=> paragraphe 5.1)
 - Les personnes non autorisées (par exemple des enfants) doivent être tenues à l'écart de la station de pompage.
 - Ne jamais dépasser les limites d'utilisation définies dans la documentation.
 - Respecter l'ensemble des consignes de sécurité et des directives de ce manuel d'utilisation et d'installation.
- Ce manuel doit toujours être conservé à un endroit où il peut être consulté par le personnel qualifié et l'utilisateur.

1.5 Conséquences et risques en cas de non-respect de ce manuel

Le non-respect de ce manuel d'utilisation et d'installation entraîne la perte des droits à la garantie.

2 TRANSPORT / STOCKAGE TEMPORAIRE / RETOURS / ÉLIMINATION

2.1 Contrôle à la réception

- Lors de la prise en charge de la marchandise, vérifier l'état de l'emballage de la station de pompage.
- En cas de détérioration, constater le dommage exact et informer le revendeur immédiatement par écrit.

2.2 Transport

DANGER

- Chute de la station de pompage
- Risque de blessure en cas de chute de la station de pompage!
- ▷ Toujours transporter la station de pompage en position horizontale.
- ▷ Respecter les limites de poids indiquées.
- ▷ Ne jamais suspendre la station de pompage par son câble électrique.
- ▷ Utiliser des moyens de transport adéquats.

✓ La station de pompage a été contrôlée afin de vérifier l'absence de dommages dus au transport.

Choisir le moyen de transport approprié selon le tableau des poids.

Tableau 1 : Poids de la station de pompage

Modèle	Poids brut (accessoires et emballage inclus) [lb]
SANICUBIC® 1	44 lb
SANICUBIC® 2	78 lb

2.3 Stockage temporaire / Emballage

Dans le cas d'une mise en service après une période de stockage prolongée, prendre les précautions suivantes pour assurer l'entreposage adéquat de la station de pompage :

ATTENTION

- Orifices et points de jonction humides, encrassés ou endommagés
- Fuites ou endommagement de la station de pompage!
- ▷ Dégager les orifices obturés de la station de pompage au moment de l'installation.

2.4 Retours

- Drainer correctement la station de pompage.
- Rincer et décontaminer la station de pompage.

2.5 Élimination

L'appareil ne doit pas être jeté parmi les déchets ménagers et doit être acheminé vers un point de recyclage pour les équipements électriques. Les matériaux et composants de l'appareil sont réutilisables. L'élimination responsable des déchets électriques et électroniques, le recyclage et la récupération d'appareils usés participent à la préservation de notre environnement.



DESCRIPTION

3.1 Description générale

Cet appareil est une station de pompage compacte. SANICUBIC® 1 est une station de pompage conçue spécifiquement pour un usage individuel (maison seule ou petit local commercial). SANICUBIC® 2 est une station de pompage conçue spécifiquement pour un usage individuel, commercial et collectif de petite taille (petits immeubles, commerces, lieux publics).

3.2 Étendue des fournitures

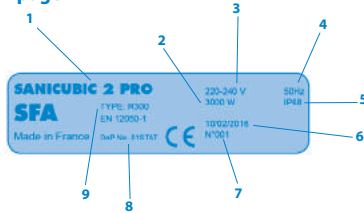
Selon le modèle choisi, les composants suivants sont fournis :

- Réservoir collecteur comportant 1 ou 2 pompes et 3 capteurs de niveau
- Boîtier de commande à distance filaire
- Boîtier d'alarme filaire
- Clapets anti-retour
- Trousse de fixation (vis, chevilles)
- Manchons de raccordement des tuyauteries d'alimentation, de refoulement et de ventilation
- Brides de serrage des manchons de raccordement

3.3 Plaque signalétique

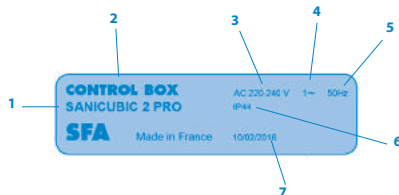
Exemples :

Station de pompage



- | | |
|---|--------------------------------------|
| 1 | Désignation de la station de pompage |
| 2 | Alimentation électrique |
| 3 | Fréquence |
| 4 | Indice de protection |
| 5 | Date de production |
| 6 | Numéro d'identification |
| 7 | Type de certification |

Boîtier de commande



- | | |
|---|--------------------------------------|
| 1 | Désignation de la station de pompage |
| 2 | Désignation du boîtier de commande |
| 3 | Alimentation électrique |
| 4 | Type de phase |
| 5 | Fréquence |
| 6 | Indice de protection |
| 7 | Date de production |

3.4 Conception et mode de fonctionnement

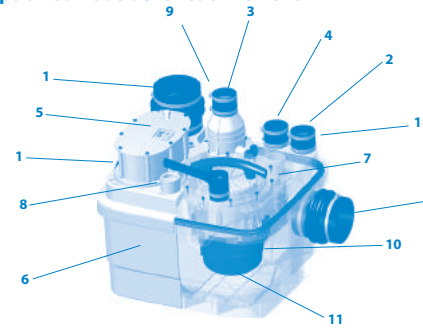


Tableau 2 : SANICUBIC® 1

1	Entrée	Ø ext. 1-1/2" ou 4"
2	Entrée	Ø ext. 1-1/2"
3	Evacuation	Ø ext. 1-1/2"
4	Orifice de ventilation	Ø ext. 1-1/2"
5	Capteur de niveau (tube plongeur)	
6	Réservoir	
7	Panneau d'accès	
8	Orifice de contrôle	
9	Clapet anti-retour intégré	
10	Ensemble moteur-pompe	
11	Système de broyeur	

La station de pompage est équipée de plusieurs orifices d'entrée horizontaux et verticaux pour tuyauterie de diamètre extérieur 1-1/2" ou 4" (1) et de diamètre extérieur 1-1/2" (2). L'ensemble moteur-pompe (10) achemine le fluide pompé dans la tuyauterie de refoulement verticale de diamètre extérieur 1-1/2" (3). La conduite de ventilation (4) permet à la cuve de toujours maintenir la pression atmosphérique.

Mode de fonctionnement :

Les effluents entrent dans la station de pompage par les orifices d'amenée horizontaux et verticaux (1) (2). Ils sont accumulés dans un réservoir en matière synthétique étanche aux gaz, aux odeurs et à l'eau (6). Commandé par un capteur de niveau (5) et un coffret de commande, les effluents sont broyés par le système de broyeur (11) et pompés automatiquement, dès qu'ils atteignent un certain niveau dans la cuve, par une ou deux pompes en fonction du modèle (10) au-dessus du niveau de reflux pour s'écouler dans la canalisation de refoulement.

- SANICUBIC® 1 contient 1 pompe équipée d'un système de broyeur haute performance.

- SANICUBIC® 2 contient 2 pompes indépendantes. Chacune de ces pompes est équipée d'un système de broyeur haute performance. Les 2 pompes fonctionnent chacune à leur tour, en alternance. En cas de fonctionnement anormal, les 2 moteurs fonctionnent simultanément (ou si l'une des pompes est défectueuse, l'autre prend le relais).

Capteur de niveau / Tube plongeur :

• 2 tubes plongeurs longs

Lors d'un fonctionnement normal, dès que les effluents atteignent le niveau d'enclenchement du tube long dans la cuve, le système de pompage se met en marche.

• Tube plongeur court

Lors d'un fonctionnement anormal, si les effluents atteignent le niveau élevé dans la cuve (tube court), une alarme sonore et visuelle est enclenchée et le système de pompage se met en marche (s'il n'est pas défectueux).

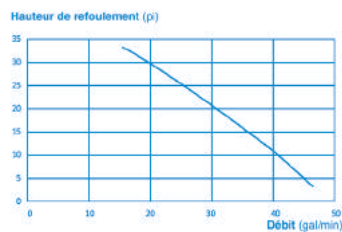
3.5 Données techniques

Station de pompage immergée pour eau de refoulement

SANICUBIC® 1

Type de courant	Monophasé
Alimentation/données électriques	120 V/60 Hz/10 A/1300 W ou 220-240 V/60 Hz/6 A/1500 W
Moteur - pompe	Protection de surcharge thermique Isolation classe F
Type de pompe	Broyage par couteau-plateau
Câble station – boîtier de commande	13 pi - H07RN-F-4 G 1,5
Câble boîtier de commande – prise secteur	8 pi - H05VV-F-3 G 1,5
Station de protection :	SANICUBIC® 1 : IP67
Boîtier de commande	IPX4
Hauteur max. conseillée	36 pi
Débit max.	50 gal/min
Température max. des eaux usées entrantes	158 °F (max 5 min)
Volume de la cuve	8,5 gallons
Volume utile	2,6 gallons
Hauteur des entrées basses (par rapport au sol)	5-1/2"
Poids brut [lb]	44
Evacuation	Ø ext. 1-1/2"
Entrée	Ø ext. 1-1/2" ou 4"
Ventilation	Ø ext. 1-1/2"

Courbe de débit

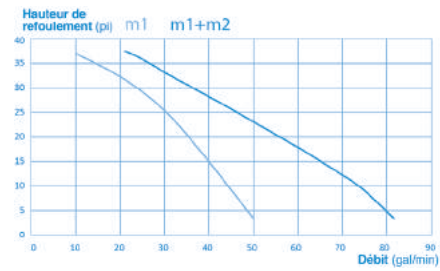


SANICUBIC® 2

Type de courant	Monophasé
Alimentation/données électriques	220-240 V/60 Hz/13A/ 2 x 1 HP
Moteur - pompe	Refroidi par bain d'huile Protection de surcharge thermique Classe isolation F
Type de pompe	Broyage par couteau-plateau
Câble station – boîtier de commande	13 pi - H07RN-F-4 G 1,5
Câble boîtier de commande – prise secteur	8 pi - H05VV-F-3 G 1,5
Protection	Station : IP68 Boîtier de commande : IPX4
Hauteur max. conseillée	36 pi
Débit max.	90 gal/min
Température max. des eaux usées entrantes	158 °F (max. 5 min)
Volume de la cuve	12 gallons
Volume utile	4,6 gallons
Hauteur des entrées basses (par rapport au sol)	5-1/2"
Poids brut [lb] (accessoires et emballage inclus)	SANICUBIC® 2 : 78
Evacuation	Ø ext. 1-1/2"
Entrée	Ø ext. 1-1/2" ou 4"
Ventilation	Ø ext. 1-1/2"

Unité de mesure du volume : Gal (US)/min

Courbe de débit SANICUBIC® 2



3.6 Boîtier de commande

⚠ DANGER

Immersion du dispositif de commande
Danger de mort par choc électrique

- ▶ Utiliser le dispositif de commande uniquement dans un local à l'abri des inondations

Boîtier de commande à distance SANICUBIC®

- Coffret de commande et de surveillance de pompe intégré dans un boîtier compact en matière synthétique
- Pour 1 ou 2 pompes
- Possibilité de marche forcée

3.6.1 Caractéristiques électriques

Tableau 3 : Caractéristiques électriques du boîtier de commande

Paramètre	Valeur
Tension nominale d'alimentation	120 V ou 220-240 V
Fréquence réseau	60 Hz
Indice de protection	IPX4
Intensité nominale par moteur	SANICUBIC® 1 : 6 A (modèle 220-240 V) ou 10 A (modèle 120 V) SANICUBIC® 2 : 13 A

3.6.2 Caractéristiques techniques du dispositif de détection

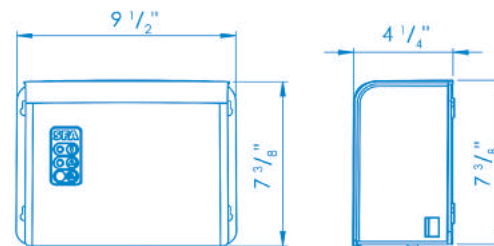
Capteur de niveau analogique :

- Tension d'entrée 0 - 5 V

Sorties de traitement :

- Une sortie de signalisation libre de potentiel (250 V, 16 A), contact NO
- Une sortie de signalisation à destination du boîtier d'alarme filaire livré avec l'appareil (sauf SANICUBIC® 2) : 5V, 50 mA

3.6.3 Dimensions du boîtier de commande à distance



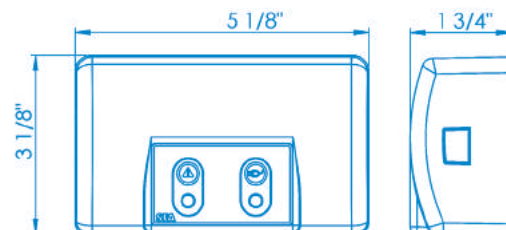
3.7 Boîtier d'alarme

3.7.1 Caractéristiques techniques du dispositif d'alarme

Boîtier d'alarme SANICUBIC® :

- Boîtier d'alarme filaire
- Câble de 16'
- Information sonore et visuelle
- Indice de protection : IP20

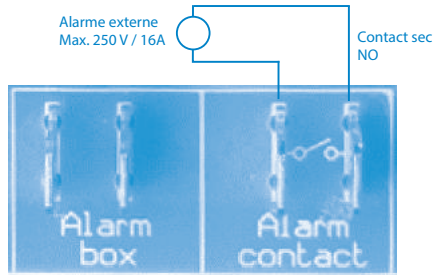
3.7.2 Dimensions du boîtier d'alarme à distance



3.7.3 Possibilité de raccordement à une alarme externe

Possibilité d'externaliser le signal d'alarme (selon modèle). Contact sec (pas de voltage) NO (normalement ouvert) actionné par un relais 250 V/16 A max.

Les bornes peuvent être connectées à un système sous tension. Ce contact se ferme dès que la station est en mode alarme (sauf cas d'alarme secteur) et reste fermé tant que la sirène d'alarme retentit.



3.8 Réservoir collecteur

Le réservoir collecteur est conçu pour un fonctionnement sans pression. Les eaux usées y sont collectées à la pression atmosphérique avant d'être évacuées vers le collecteur d'égout. La conduite de ventilation permet à la cuve de toujours rester à la pression atmosphérique

3.9 Fluides pompés

AVERTISSEMENT



Pompage de fluides non autorisés
Danger pour les personnes et l'environnement !
▷ Évacuer uniquement les fluides pompés autorisés dans le réseau d'assainissement public

Fluides pompés autorisés :

Les liquides suivants sont admis dans les systèmes de refoulement :
Les eaux souillées par l'utilisation domestique, les excréments humains.

Fluides pompés non autorisés :

Sont interdits les liquides et substances suivants :

- Matières solides, fibres, goudron, sable, ciment, cendres, gros papier, essuie-mains, lingettes, carton, gravats, ordures, déchets d'abattoir, huiles, graisses, etc...
- Eaux usées contenant des substances nuisibles (ex. eaux grasses non traitées provenant de restaurants). Le pompage de celles-ci requiert impérativement l'installation d'un séparateur de graisse conforme.
- Eaux pluviales.

3.10 Niveau de bruit

Le niveau de bruit dépend des conditions de l'installation et du point de fonctionnement. Ce niveau de pression acoustique L_p est inférieur à 68 dB(A).

4 INSTALLATION / POSE

4.1 Installation de la station de pompage

- Les caractéristiques indiquées sur la plaque signalétique ont été comparées avec celles de la commande et de l'installation (tension d'alimentation, fréquence).
- Le local d'installation doit être protégé contre le gel.
- Le local d'installation est suffisamment éclairé.
- L'ouvrage a été préparé conformément aux dimensions indiquées dans l'exemple d'installation.
- Le local technique où sera installé le SANICUBIC® doit être de dimensions suffisantes pour aménager un espace de travail de 600 mm minimum autour et au-dessus de l'appareil de façon à faciliter une maintenance éventuelle.
- La signalisation d'alarme est toujours visible par l'utilisateur (le cas échéant, utiliser un contacteur d'alarme externe).
- Des vannes d'arrêts (non fournies) doivent être installées sur les entrées d'effluents ainsi que sur la conduite de refoulement, au plus près de la station de pompage.
- La conduite de refoulement doit être conçue pour éviter tout reflux des égouts. Grâce à l'installation d'une boucle anti-retour, située au-dessus du niveau de reflux, le reflux est évité.

Remarque : Sauf indications locales contraires, le niveau de reflux correspond au niveau de la voirie (routes, trottoirs...). Prolongez ce conduit après la boucle anti-retour par un tuyau d'un diamètre supérieur.

- L'installation d'une pompe auxiliaire pour le drainage éventuel du local technique (en cas d'inondation) est recommandée.
- La station de pompage doit être aérée par-dessus le toit.

• Le fluide pompé est approprié et autorisé par la présente documentation. (⇒ paragraphe 3.9)

• En cas de refoulement d'effluents graisseux, l'usage d'un bac dégraisseur est impératif.

Les eaux usées autres que celles citées ci-dessus, par exemple de provenance artisanale ou industrielle, ne doivent pas être rejetées dans la canalisation sans traitement préalable.

4.2 Raccordement électrique

DANGER



Travaux de raccordement électrique réalisés par un personnel non qualifié. Danger de mort par choc électrique !

- ▷ Le raccordement électrique doit être réalisé par un électricien qualifié et certifié.
- ▷ L'installation électrique doit correspondre aux normes en vigueur dans le pays

ATTENTION



Tension d'alimentation incorrecte. Endommagement de la station de pompage !

- ▷ La tension d'alimentation ne doit pas différer de plus de 6 % de la tension nominale indiquée sur la plaque signalétique.

L'alimentation doit être réalisée en classe 1. L'appareil doit être raccordé à un boîtier de connexion relié à la terre. Le circuit d'alimentation électrique doit être protégé par un disjoncteur différentiel haute sensibilité calibré à 10 Amp Mini pour SANICUBIC® 1 et 20 Amp Mini pour SANICUBIC® 2. Ce raccordement doit servir exclusivement à l'alimentation du SANICUBIC®. Si le câble de cet appareil est endommagé, il doit être remplacé avec la pièce d'origine du fabricant par un électricien certifié.

4.3 Installation de la station de pompage

Poser la station de pompage à même le sol et la mettre de niveau avec un niveau à bulle.

Afin d'exclure tout risque de flottement de la station de pompage, fixer celle-ci au sol à l'aide de la trousse de fixation fournie.

NOTE



L'installation de la station de pompage sur des plots anti vibratiles assure une isolation suffisante contre le son solidien par rapport à l'ouvrage. Ne pas installer la station de pompage directement en contact des parois afin d'éviter la propagation des vibrations à l'ouvrage.

4.4 Raccordement des tuyauteries

4.4.1 Tuyaux d'entrée

DANGER



- ▷ La station de pompage ne doit pas servir de point d'appui aux tuyauteries.
- ▷ Etayer les tuyauteries en amont de la station de pompage. Effectuer les raccordements sans contraintes.
- ▷ Compenser la dilatation thermique des tuyauteries par des moyens adéquats.

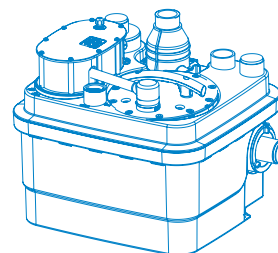
NOTE



Le montage de clapets anti-retour et de vannes d'arrêt sur les tuyaux d'entrée est conseillée. Ceux-ci doivent être montés de telle sorte qu'ils n'entravent le démontage de la station de pompage.

✓ La tuyauterie est supportée.

1. Choisir les orifices de raccordement à utiliser.
2. Couper à la scie le bout des bossages correspondants.



**NOTE**

Tous les raccords de tuyauteries doivent empêcher la propagation du bruit et être flexibles.

4.4.2 Tuyauterie de refoulement**ATTENTION**

- Installation incorrecte de la tuyauterie de refoulement. Fuites et inondation du local d'installation!
- ▷ Passer la tuyauterie de refoulement au-dessus du niveau de reflux avant de la raccorder au collecteur d'égout.
 - ▷ La station de pompage ne doit pas servir d'appui aux tuyauteries.
 - ▷ Ne pas raccorder d'autres tuyauteries de refoulement à la tuyauterie de refoulement.
 - ▷ Installer des vannes d'arrêt sur les entrées et sur la tuyauterie de refoulement.
 - ▷ Couple de serrage : Utiliser une clé à pipe de 7 mm (¼") et non un tournevis plat (couple de serrage minimum : 2,5 N.m) pour le collier métallique, sécurisant le raccord 1-1/2 po.

**NOTE**

Pour prévenir le risque de reflux des eaux du collecteur d'égout, installer la tuyauterie de refoulement en «boucle» de façon à ce que sa base, au point culminant, soit située au-dessus du niveau de reflux.



Installer une vanne d'arrêt derrière le clapet anti-retour
Les clapets anti-retour sont dotés d'un levier permettant la vidange de la tuyauterie de refoulement dans la cuve.

4.4.3 Conduite de ventilation**ATTENTION**

Ventilation insuffisante. Risque de non fonctionnement de la station de pompage !

- ▷ La ventilation doit rester libre
- ▷ Ne pas boucher la sortie d'évent
- ▷ Ne pas installer de ventilation unidirectionnelle



La station doit être munie d'une ventilation avec sortie au-dessus du toit. La station de pompage doit être ventilée en tout temps afin que la cuve soit toujours à pression atmosphérique. La ventilation doit être totalement libre et l'air doit circuler dans les 2 sens (pas d'installation de clapet à membrane). La conduite de ventilation ne doit pas être raccordée à la conduite de ventilation du côté entrée d'un séparateur de graisse.

Raccorder la conduite de ventilation de 1-1/2" (selon le modèle) à la verticale à l'orifice de ventilation à l'aide du manchon flexible. Le raccordement doit être étanche aux odeurs.

5 MISE EN SERVICE / MISE HORS SERVICE**5.1 Mise en service****5.1.1 Prérequis pour la mise en service**

Avant la mise en service de la station de pompage, s'assurer que le raccordement électrique de la station de pompage et de tous les dispositifs de protection a été réalisé correctement.

5.2 Limites d'application**DANGER**

- ▷ Dépassement des pressions et températures limites. Fuite de fluide pompé brûlant ou toxique!
- ▷ Respecter les caractéristiques de service indiquées dans la documentation.
- ▷ Éviter un fonctionnement de la pompe avec vanne fermée.
- ▷ Éviter le fonctionnement à sec, sans fluide pompé.



En fonctionnement, respecter les paramètres et valeurs suivants :

Paramètre	Valeur
Température max. autorisée du fluide	104 °F jusqu'à 158 °F lorsque pompé 5 minutes max.
Température ambiante max.	122 °F

5.3 Fréquence de démarrages

Pour éviter une surchauffe du moteur et une sollicitation excessive du moteur, des joints et des roulements, limiter le nombre de démarrages à 60 par heure.

5.4 Mise en service avec le boîtier de commande**DANGER**

- ▷ Le couvercle du coffret de commande n'est pas correctement fermé. Danger de mort !
- ▷ Refermer correctement le couvercle du coffret de commande.
- ▷ Rebrancher ensuite la prise d'alimentation.

**Opérations nécessaires à la mise en service**

1. Réaliser un essai de fonctionnement et d'étanchéité de la station de pompage : une fois les raccordements hydrauliques et électriques effectués, vérifier l'étanchéité des raccordements en laissant couler de l'eau successivement par chaque entrée utilisée. S'assurer du bon fonctionnement de l'appareil et de l'étanchéité de l'installation en effectuant un essai en eau en observant plusieurs cycles de démarrage.
2. Contrôler les différents points de la liste de contrôle (⇒ paragraphe 7.6)
3. Attention : Ne pas faire fonctionner le moteur en marche forcée (en appuyant sur la touche du clavier) avant d'avoir mis la pompe à l'eau. Un fonctionnement à sec détériore le système de broyage.

5.5 Mise hors service

1. Fermer les vannes sur les tuyauteries d'entrée et de refoulement.
2. Vidanger le réservoir en appuyant sur le bouton de marche forcée de la pompe.
3. Couper l'alimentation électrique et débrancher l'installation.

DANGER

- ▷ Le courant n'est pas coupé. Danger de mort!
- ▷ Débrancher la prise ou déconnecter les conducteurs électriques et prendre les mesures nécessaires pour éviter tout enclenchement intempestif.

4. Inspecter les parties hydrauliques et couteaux dilacérateurs (selon modèle). Les nettoyer si nécessaire.
5. Nettoyer le réservoir.

DANGER

- ▷ Fluides pompés et matières consommables secondaires nuisibles à la santé. Danger pour les personnes et l'environnement !
- ▷ Les stations de pompage utilisées pour évacuer des fluides nuisibles à la santé doivent être décontaminées. Si nécessaire, porter un masque et des vêtements de protection.
- ▷ Respecter les dispositions légales en vigueur pour l'évacuation de fluides nuisibles à la santé.

**6 EXPLOITATION****6.1 Boîtier de commande SANICUBIC®****NOTE**

Le présent paragraphe décrit l'utilisation d'un coffret de commande pour deux pompes. L'utilisation du coffret de commande pour une pompe se fait de manière analogue.

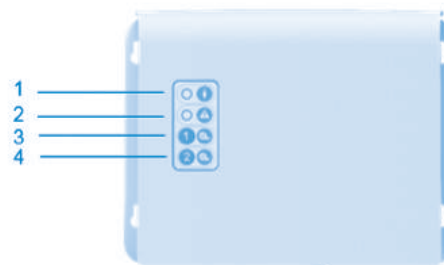


Tableau 4 : Boîtier de commande déporté SANICUBIC®

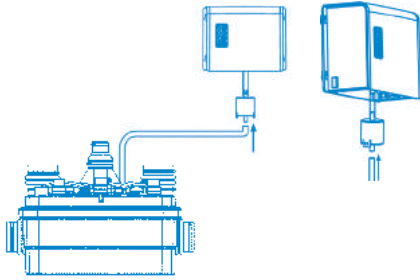
1	DEL jaune alimentation secteur
2	DEL rouge alarme
3	Marche forcée Moteur 1
4	Marche forcée Moteur 2

Signalisation par DEL

Les voyants DEL informent sur l'état de fonctionnement du boîtier de commande :

Le système de détection doit être ventilé. Connecter le boyau d'évent au boîtier de commande de la station.

Schéma 2 : Ventilation du boîtier de commande SANICUBIC®



6.1.1. Fonctionnement du clavier de commande SANICUBIC® 1 (IP67)

1/ Alarmes générales :

Alarme de niveau :

Si le niveau d'eau à l'intérieur de l'appareil est anormalement haut, le voyant DEL de l'alarme s'allume en rouge + démarrage moteur. Si par ailleurs ce voyant **clignote** en rouge, cela indique un problème de détection du niveau d'eau normal (tube plongeur long).

Alarme temporaire :

Si le moteur tourne en continu pendant plus de 1 minute, le voyant DEL rouge de l'alarme s'allume.

2/ **RAZ (remise à zéro) de l'alarme** : La touche du clavier ne permettra d'éteindre le voyant DEL rouge (redevient vert) que si le problème ayant déclenché l'alarme a été résolu. Il permet en outre, d'arrêter la sonnerie du boîtier d'alarme à distance.

Alarme secteur :

- Si le voyant DEL est éteint, il n'y a pas d'alimentation électrique.
- Quand l'appareil est à nouveau alimenté, le voyant DEL vert clignote, signifiant que la tension secteur a momentanément disparu.

6.1.2 Fonctionnement du SANICUBIC® 2

FONCTIONNEMENT DE L'ALARME

1/ Alarmes générales :

Alarme de niveau :

Si le niveau d'eau à l'intérieur de l'appareil est anormalement haut : déclenchement de la sirène + allumage du voyant DEL rouge alarme + démarrage des 2 moteurs. Si par ailleurs ce voyant clignote en rouge, cela indique un problème de détection du niveau d'eau normal (tube plongeur long).

Alarme temporelle :

Si un des 2 moteurs marche pendant plus de 1 minute : déclenchement de la sirène + allumage du voyant DEL rouge alarme + démarrage de l'autre moteur.

Alarme secteur :

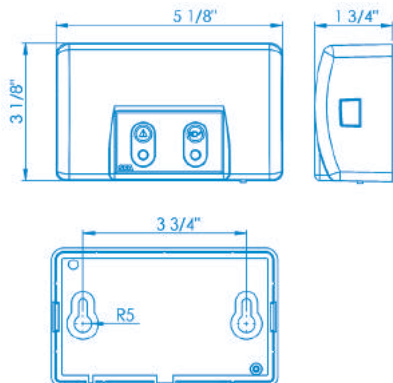
En cas de coupure secteur (ou lorsqu'on débranche l'appareil) : déclenchement de la sirène + allumage du voyant DEL rouge alarme + clignotement du DEL jaune secteur.

2/ Réinitialisation de l'alarme générale :

Si le problème ayant déclenché une des alarmes ci-dessus disparaît, la sirène s'arrête, mais le voyant DEL rouge d'alarme reste allumée pour mémoriser le fait que le système a rencontré un problème. Une des deux touches du clavier permet d'arrêter la sirène dans tous les cas, mais elle ne permettra d'éteindre le voyant rouge que si le problème ayant déclenché l'alarme a été résolu. Les alarmes du boîtier déporté resteront également actives tant que le problème n'a pas été résolu. Ceci permet d'éviter qu'un système soit « abandonné » en défaut.

6.2 Boîtier d'alarme SANICUBIC®

Pour la fixation murale du boîtier, se baser sur le schéma suivant :



6.2.1 Fonctionnement du boîtier d'alarme filaire SANICUBIC® 1/ SANICUBIC® 2

Le boîtier d'alarme du SANICUBIC® ne nécessite pas d'alimentation électrique indépendante. Cette alimentation se fait par l'intermédiaire du SANICUBIC®. En cas de coupure de courant, la pile du boîtier d'alarme prend le relais.

Raccordement du boîtier de l'alarme à l'appareil :

Connecter le câble d'alarme directement au boîtier.

1/ Le voyant DEL rouge de l'alarme générale reproduit le fonctionnement du voyant rouge de la carte de base. Le boîtier d'alarme sonne en cas d'alarme tant que le défaut est présent. Pour arrêter cette sonnerie, appuyer sur le bouton de RAZ (*) du clavier de l'appareil ou sur le bouton situé sous le boîtier d'alarme.

2/ Le voyant DEL jaune « secteur » indique le statut de l'alimentation du boîtier d'alarme

- Allumée fixe = SANICUBIC® sous tension secteur

- Clignotante = défaut secteur sur le SANICUBIC®

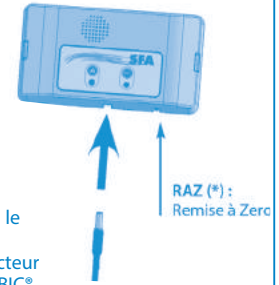


Tableau 5 : Boîtier d'alarme SANICUBIC® 1 / SANICUBIC® 2

1	DEL rouge alarme générale
2	DEL jaune alarme secteur (témoin alimentation)

6.3 Message et défauts

Tableau 7 : Messages et défauts :

Alarme sur l'appareil SANICUBIC® 1 :

Voyant DEL vert : station sous tension

Alarme sur l'appareil SANICUBIC® 2 : Voyant DEL jaune : station sous tension

ANOMALIES	CAUSES	SOLUTIONS
DEL alarme rouge clignotant	• Système de détection du niveau d'eau défectueux	• Consulter le service après-vente SFA
DEL alarme rouge fixe	• Event bouché • Conduite de refoulement bouchée • Pompe bloquée ou HS • Hauteur de refoulement ou débit entrant trop importants	• Vérifier que l'air circule librement dans les deux sens dans la conduite d'évent • Revoir l'installation • Consulter le service après-vente SFA
DEL éteint	• Coupure secteur • Carte électronique défectueuse	• Vérifier l'installation électrique • Consulter le service après-vente SFA

7 MAINTENANCE

7.1 Généralités / consignes de sécurité

AVERTISSEMENT

Travaux effectués sur la station de pompage par une personne non qualifiée. Risque de blessures!

- ▷ Les travaux de réparation et de maintenance doivent être effectués par un personnel spécialement formé
- ▷ Respecter les consignes de sécurité et directives de base.

AVERTISSEMENT

Fluides pompés et matières consommables secondaires nuisibles à la santé. Danger pour les personnes et l'environnement!

- ▷ Les stations de pompage utilisées pour évacuer des fluides nuisibles à la santé doivent être décontaminées.
- Si nécessaire, porter un masque et des vêtements de protection.
- ▷ Respecter les dispositions légales en vigueur pour l'évacuation de fluides nuisibles à la santé.

7.2 Mesures d'entretien et de contrôle

AVERTISSEMENT

Travaux sur la station de pompage sans préparation adéquate. Risque de blessures!

- ▷ Arrêter correctement la station de pompage et la sécuriser contre tout enclenchement accidentel.
- ▷ Fermer les vannes d'entrée et de refoulement.
- ▷ Drainer la station de pompage.
- ▷ Fermer les raccords auxiliaires éventuels.
- ▷ Laisser refroidir la station de pompage à la température ambiante.

Les stations de pompage doivent être entretenues et réparées de manière à assurer l'évacuation correcte des eaux usées et à détecter et éliminer les dysfonctionnements à un stade précoce.

Le bon fonctionnement des stations de pompage doit être contrôlé par l'utilisateur une fois par mois en observant au moins deux cycles de fonctionnement.

L'intérieur du réservoir devra être vérifié de temps en temps et les dépôts, notamment dans la zone du capteur de niveau, devront être éliminés le cas échéant

L'entretien de la station de pompage doit être effectué par une personne qualifiée. Les intervalles suivants ne doivent pas être dépassés :

- 3 mois pour les stations de pompage pour usage industriel
- 6 mois pour les stations de pompage pour usage collectif de petite taille
- 1 an pour les stations de pompage domestiques

7.3 Contrat de maintenance

Comme tout équipement technique et performant, les stations de pompage SANICUBIC® doivent être entretenues pour assurer un niveau de performance durable. Nous vous recommandons de souscrire un contrat de service avec une entreprise qualifiée pour la réalisation des travaux réguliers d'inspection et de maintenance. Pour de plus amples informations, veuillez nous contacter.

7.4 Service de secours avec une seule pompe

NOTE

Si un service de secours doit être assuré pendant les travaux de maintenance et d'inspection, effectuer les opérations suivantes.

1. Fermer les vannes sur les côtés entrée et refoulement.
Attention : Le débit aux entrées doit être réduit au minimum pendant la réalisation des travaux.
2. Couper l'alimentation électrique.

7.5 Vérification de l'hydraulique de chaque moteur

- Vérifier que la lame et son plateau ne sont pas bloqués, ni abimés.
- Vérifier que la rotation de la turbine se fait librement
- Vérifier que les parties hydrauliques soient propres. Les nettoyer si nécessaire.

Dans le cas où un moteur ne fonctionne pas correctement, il est possible de "désactiver" l'utilisation de ce moteur en commutant l'interrupteur correspondant sur la carte principale pour indiquer à la carte l'absence du moteur correspondant. La carte fonctionnera uniquement avec le moteur valide - SW1 : interrupteur 1 et 2 pour moteur 1 (gauche) et 2 (droite).



NB : Si les 2 interrupteurs sont abaissés (position OFF), ce qui est une situation anormale, la carte sera en mode alarme dès la remise sous tension

7.5.1 Généralités

Procéder à une vérification de la cuve, contrôler les dépôts éventuels, la présence de graisse et de corps étranger. Bien nettoyer la cuve et retirer les corps étrangers.

7.5.2 Démontage du moteur

1. Dévisser la trappe moteur du couvercle de cuve (10 vis).
2. Utiliser la poignée pour soulever avec précaution le moteur. Si le moteur défectueux doit être retourné au fabricant, la station de pompage peut assurer un service minimum avec un seul moteur.
3. Dévisser les vis du moteur défectueux de la trappe.
4. Remettre la trappe en position.

7.5.3 Démontage et vérification des chambres de compression et des capteurs de niveau :

1. Dévisser (1 vis), déverrouiller et soulever le pressostat du couvercle.
2. Vérifier que les cheminées ne sont pas obstruées (graisse, matières fécales etc.). Le bouchage des chambres de compression indique que l'appareil n'est pas entretenu correctement. Il est recommandé de nettoyer l'appareil au minimum tous les 6 mois.
3. Si nécessaire déboucher les chambres de compression.

7.5.4 Remontage des capteurs de niveau

Attention : Ne pas graisser les joints toriques des capteurs de niveau avant le remontage.

1. Insérer à fond le capteur de niveau dans la chambre de compression.
2. Visser le capteur de niveau sur le couvercle.

7.5.5 Remontage

Lors du remontage, respecter les points suivants :
Pour le remontage de la pompe, respecter les règles applicables aux constructions mécaniques. Ne pas serrer exagérément les vis portant sur des pièces en plastique (risque de bris du plastique) et les brides.
Nettoyer toutes les pièces démontées et vérifier leur état d'usure.
Remplacer les pièces endommagées ou usées par des pièces de rechange d'origine.
S'assurer que les surfaces d'étanchéité sont propres et les joints toriques correctement montés.

7.6 Liste de contrôle pour la mise en service / l'inspection ① et l'entretien ②

Opérations	Requises pour	
Lire le manuel d'utilisation	①	②
Contrôler l'alimentation électrique. Comparer les valeurs avec celles de la plaque signalétique.	①	②
Contrôler le raccordement de l'alimentation électrique à la terre.	①	②
Contrôler le raccordement de l'alimentation électrique à un disjoncteur différentiel 30 mA.	①	②
Contrôler le bon fonctionnement des moteurs en appuyant sur les boutons de marche forcée. Si anormal, vérifier que la pompe n'est pas colmatée, contrôler les valeurs de résistance des bobinages moteurs.	①	②
Contrôler le réservoir collecteur. Nettoyer le réservoir en cas de dépôts. En cas d'importants dépôts de graisse dans le réservoir provenant d'eaux usées grasses d'entreprises artisanales ou industrielles, informer le client qu'il doit installer un séparateur de graisse en amont de la station de pompage.	①	②
Contrôler les capteurs de niveau. Démonter les pressostats et vérifier que les tubes plongeurs ne soient pas colmatés. Les nettoyer si nécessaire.	①	②
Contrôler le mécanisme de commande. Démonter le capteur de niveau. Contrôler s'il est bloqué ou incrusté. Le nettoyer, si nécessaire.	①	②
Faire un essai de fonctionnement sur plusieurs cycles.	①	②
Contrôler le montage correct et l'état d'usure des manchons flexibles.	①	②
Contrôler le bon fonctionnement et l'efficacité du dispositif d'alarme.		②
Contrôler le bon fonctionnement et l'étanchéité des vannes d'arrêt et clapets anti-retour	①	②
Le cas échéant, déterminer les pièces de rechange nécessaires.	①	②
Conseiller et/ou former le personnel d'exploitation.	①	②

NOTE



Avant toute intervention à l'intérieur de la pompe pendant la période de garantie, consulter le fabricant. Notre service après-vente est à votre disposition. Le non-respect conduit à la perte des droits aux dommages-intérêts.

AVERTISSEMENT



Travaux inappropriés en vue de corriger des dysfonctionnements.
Risque de blessures!
▷ Pour tous les travaux destinés à corriger les dysfonctionnements, respecter les directives de ce manuel et/ou de la documentation du fabricant des accessoires concernés.

NOTE



Après toute inondation, la station de pompage doit faire l'objet d'un contrôle.

NOTE



Après un incident, soumettre la station de pompage à un essai de fonctionnement et un contrôle visuel.

Pour tous les problèmes non décrits dans le tableau ci-dessous, s'adresser au Service après-vente de SFA.

Problèmes rencontrés :

- A La pompe ne débite pas
- B Débit insuffisant
- C Intensité / puissance absorbée excessive
- D Hauteur manométrique insuffisante
- E Fonctionnement irrégulier et bruyant de la pompe
- F Défauts fréquents signalés par la station de pompage
- G Débordement de la station de pompage
- H Démarrage intempestif

Avant l'intervention sur les composants sous pression, toujours réduire la pression à l'intérieur de la pompe! Débrancher la pompe de l'alimentation électrique.

8. Incidents : causes et remèdes

A	B	C	D	E	F	G	H	Cause possible	Solutions
-	X	-	-	-	X	-	-	La pompe débite contre une pression excessive.	Le dimensionnement de la station de pompage est insuffisant pour ces conditions de service.
-	X	-	-	-	X	-	-	La vanne de refoulement n'est pas complètement ouverte.	Ouvrir la vanne au maximum.
X	-	-	-	-	X	-	-	La station de pompage n'est pas ventilée.	Contrôler les conduites de ventilation de la station de pompage
-	X	-	X	X	X	-	-	Tuyauteries d'entrée ou roue obstruées.	Éliminer les dépôts dans la pompe et/ou les tuyauteries.
-	-	X	-	X	X	-	-	Présence de dépôts / fibres dans la roue Le rotor ne tourne pas librement.	Contrôler si la roue tourne librement et sans blocage. Le cas échéant, nettoyer la pompe.
X	-	-	-	-	X	X	-	Le moteur est hors tension.	Contrôler l'installation électrique (et les fusibles).
X	-	-	-	-	-	-	-	Déclenchement de la protection thermique suite à une température trop élevée.	Le moteur redémarre automatiquement après refroidissement.
-	X	-	-	-	X	-	-	Dépôts dans le réservoir collecteur.	Nettoyer le réservoir collecteur. En cas de dépôts de graisse, prévoir un séparateur de graisse.
-	-	-	-	-	X	X	-	Le clapet anti-retour n'est pas étanche.	Nettoyer le clapet anti-retour.
-	-	-	-	X	-	-	-	Vibrations dans l'installation.	Contrôler les raccords flexibles des tuyauteries.
X	-	-	-	X	X	X	-	Capteur de niveau défectueux, bouchés, déboîtés ou mal insérés.	Contrôler le capteur de niveau. Le nettoyer ou remplacer le cas échéant.
-	-	-	-	X	-	-	-	Condensateur en panne	Remplacer le condensateur
-	X	-	X	-	-	-	-	Dans le cas d'une installation triphasée : 2 phases peuvent être inversées. Pour le vérifier, constater visuellement le sens de rotation du moteur en démontant un moteur.	Remplacer le condensateur Au niveau du branchement, inverser 2 phases au niveau du câble d'alimentation (5 brins).

ANNEXES

Schéma de dimensionnement SANICUBIC® 1

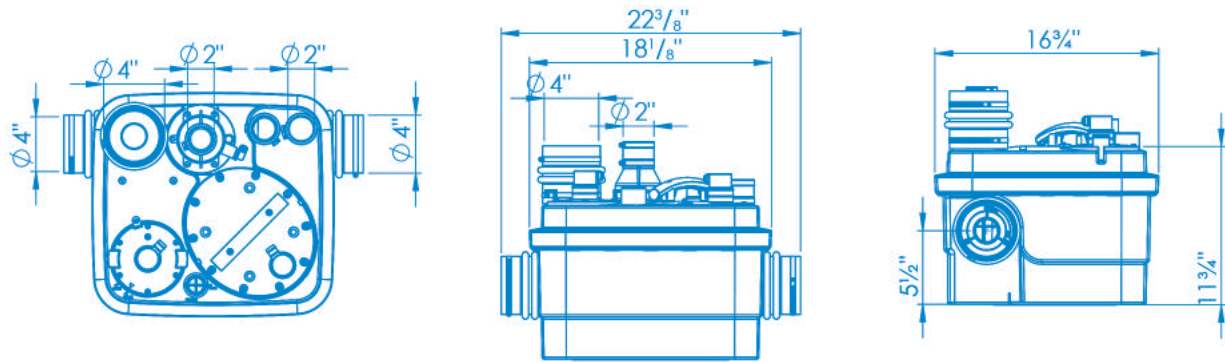
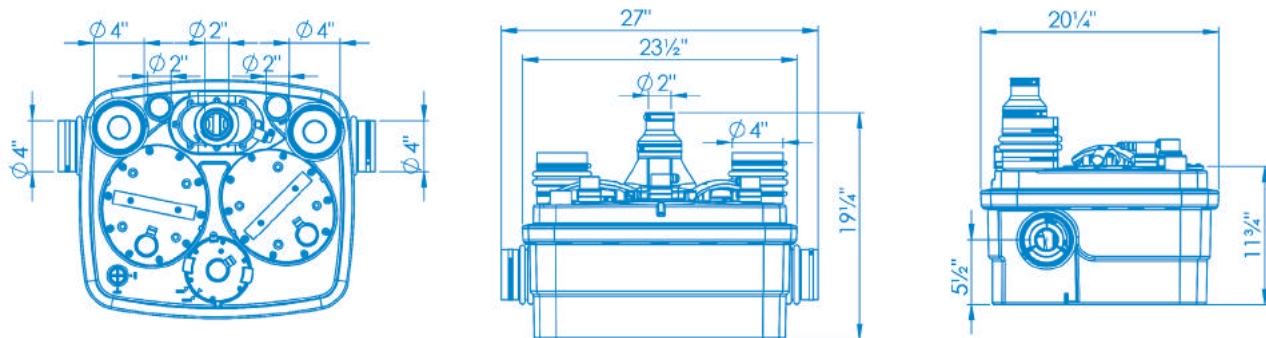


Schéma de dimensionnement SANICUBIC® 2



GARANTIE LIMITÉE

Garantie de deux ans à partir de la date d'achat

Sous réserve des modalités et conditions énoncées ci-dessous, SFA-SANIFLO INC., (ci-après désignée comme la Compagnie) garantit qu'elle réparera ou remplacera, à son gré, le produit ou l'une quelconque de ses pièces, qui de l'avis de la Compagnie, se trouve défectueux ou ne répond pas à la performance demandée du fait d'un défaut de fabrication ou de matériau.

Si le remplacement doit s'opérer, il sera seulement valable pendant les 180 premiers jours à compter de la date d'achat. Les réparations sous garantie seront applicables après cette date jusqu'à la date de fin de garantie.

TERMES ET CONDITIONS

Les conditions de la garantie sont :

- Le produit doit être installé conformément selon l'usage décrit dans les manuels ci-joint
- Le produit doit être connecté à une prise électrique monophasée de 120V, 60Hz et ne doit être le sujet d'aucune négligence, accident ou exposition à des produits ou des substances nuisibles.
- Le prétendu défaut ou faute doit être rapporté soit à l'installateur soit à la Compagnie pendant la période de couverture de la garantie.
- La période de couverture de la garantie est valable 2 ans.

ÉCHANGE DE PIÈCE OU DE PRODUIT

Le produit pourra être échangé sans frais uniquement au point de vente où il a été acheté sous réserve des conditions suivantes :

- Le client doit avoir une « autorisation de retour » chez le fabricant afin de valider l'échange.
- Le client doit produire une preuve d'achat afin de valider l'échange.

RESTRICTIONS

1. Les mécanismes de chasse et de remplissage du réservoir sont garantis par le fabricant d'origine seulement ;
2. La porcelaine est garantie seulement contre les défauts de fabrication ;
3. La garantie ne couvre pas les frais de branchement et rebranchement de l'installation (c.-à-d. les frais de main-d'oeuvre) qui sont à la charge du client ;
4. La garantie ne couvre pas les frais d'expédition ou de transport quand une pièce ou des pièces de l'appareil doit(vent) être réparé(e)s à l'usine ;
5. En aucun cas la Compagnie ne sera tenue responsable des dommages accessoires ou indirects, pertes ou blessures, de quelle que nature que ce soit, résultant de l'utilisation du produit, ou de l'un de ses compos-ants ;
6. La garantie est transférable seulement si l'appareil demeure à l'endroit où il fut installé initialement.

Sauf pour ce qui est des termes de cette garantie limitée, la Compagnie n'accepte aucune autre garantie, implicite ou explicite, ayant trait au produit ou à tout composant y afférent, incluant sans toutefois s'y limiter, toute autre garantie implicite quant à la valeur marchande ou l'adaptabilité de ce produit à une fin particulière.

Pour le service, les retours et autres demandes de renseignements, veuillez nous contacter à l'une des adresses indiquées ci-dessous:

États-Unis

SFA-SANIFLO INC.
105 Newfield Avenue, Suite A
Edison, NJ 08837

Canada

SFA-SANIFLO INC.
500 Jamieson Parkway, Unit 5
Cambridge, ON N3C 0G5

Numéro sans frais : 1-800-571-8191

Numéro sans frais : 1-800-363-5874

Téléphone : 1-732-225-6070
Télécopieur : 1-732-225-6072
Courriel : sfales@saniflo.com
Site Web : www.saniflo.com

Téléphone : 1-519-824-1134
Télécopieur : 1-519-824-1143
Courriel : ventes@saniflo.ca
Site Web : www.saniflo.ca

SFA