

# SANIFLOOR® 1

Sanifloor® allows a shower to be installed easily and without major work accessing sewer pipes.

The pump sucks the water from the shower trap and discharges back to the existing sewer line. Installing a stylish walk-in shower is easy with a Sanifloor®.

## TECHNICAL CHARACTERISTICS



Discharge	32 mm
Motor	400 Watts / 1.7 A
Voltage	220-240 V / 50 Hz
Working Water Temp	Normal temp 35°C
Product Weight	7.9 kg's
Overall Measurements	295 x 191 x 164 mm
Inlet Pipe Work	Supplied
IP Rating	IP44
Maximum flow rate	30 L/min
Max discharge height	3 m

## WHY CHOOSE THIS PRODUCT

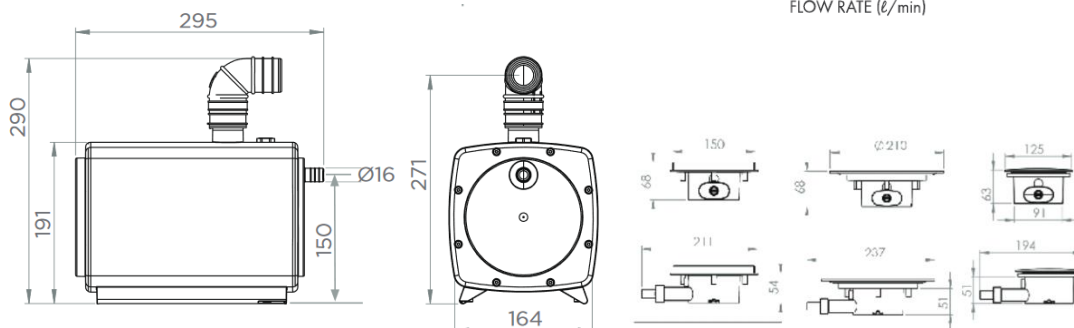
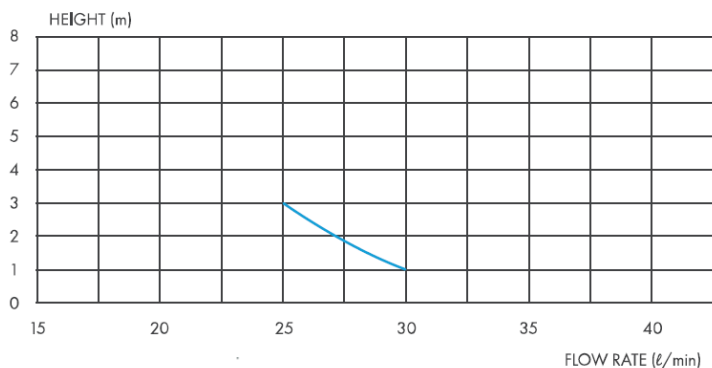
Suction trap allows you to install a walk-in shower

Pump and waste inlet can be up to 3m apart horizontally

Dual function – sucks waste up from gully and pumps waste away

Can be positioned up to 300 mm above the gully

Suction pipe 24mm OD



## APPLICATION



WALK IN SHOWER

# SANIFLOOR® 1



A: Discharge

B: Shower trap / detection unit (supplied)

C: Suction Pipe (pipe supplied)

Product Reference: FLOOR1

# Saniflo

**SFA** SOUTH AFRICA  
Shaking up water

Made in France to the highest standards, needs to be installed by a licensed plumber.