

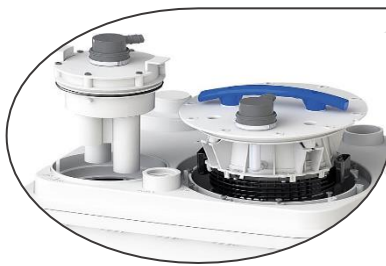
SANICUBIC® 1

SANICUBIC® 1 is a powerful macerator pump that can discharge wastewater from toilets, bathrooms, kitchens, and utility rooms.

The SANICUBIC® 1 unit features a visual alarm panel that indicates system status.

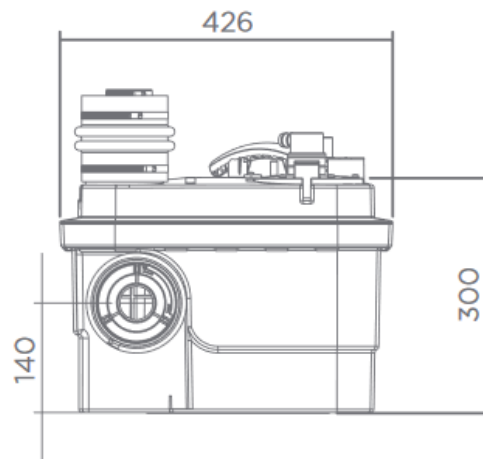
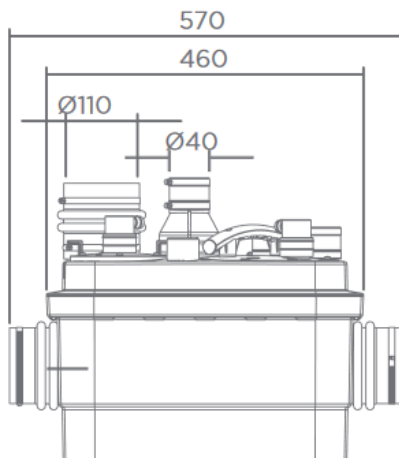
A lifting station with integrated cutter system, powered by a 1500W motor reaching up to a maximum discharge head of 13,5 metres

Direct access to the pressure tubes and motor



TECHNICAL CHARACTERISTICS

Discharge	50 mm
Motor	1500 Watts / 6A
Voltage	220-240 V / 50 Hz
Working Water Temperature	35° C Max 70°C (intermittent)
Tank Volume	32 L
Product Weight	20kg's
Overall Measurements	570 x 439 x 426 mm
Inlet Pipe Work	40-50 / 110 mm
IP Rating	IP68
Cable length for Control Panel	4m
Cable length for Wired Alarm Panel	5m
Maximum flow rate	200 L/min
Max discharge height	11 m



APPLICATION



TOILET



HAND BASIN



SHOWER



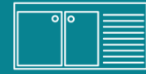
BATH



WASHING MACHINE

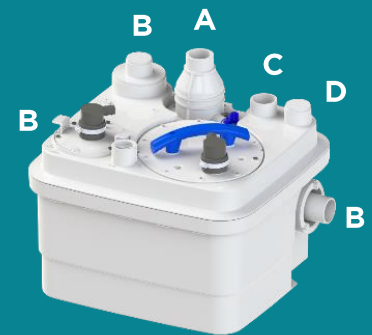


DISHWASHER



KITCHEN SINK

SANICUBIC® 1



A: 50 mm Discharge

B: 40-110 mm Inlets

C: 50mm / Open Vent

D: 40/50 mm inlet

Product Reference: CUBICIIP68NM

Saniflo

SFA SOUTH AFRICA

Shaking up water

Made in France to the highest standards, needs to be installed by a licensed plumber.

EQUIPPED WITH

External mounted control box



Remote hard-wired alarm



Stainless Steel blade suitable for heavy usage

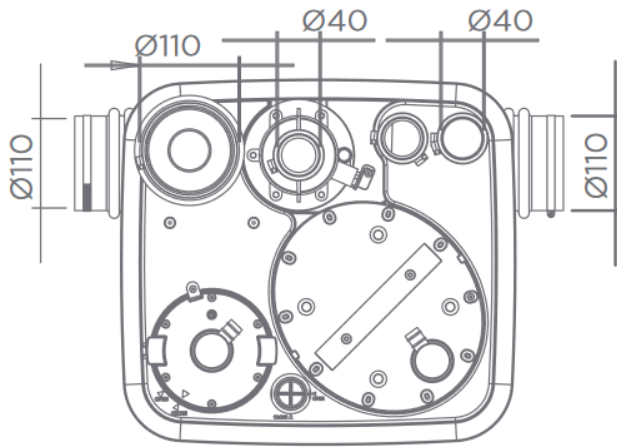


ACCESSORIES (sold separately)

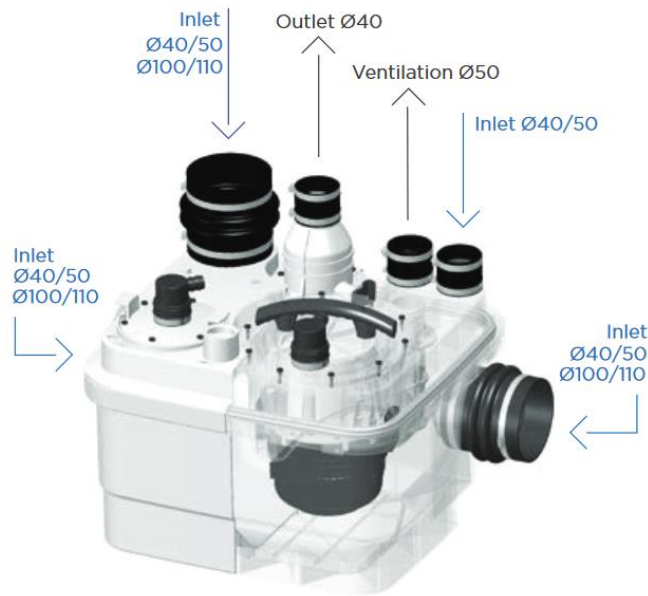
Carbon filter - when you can't take the vent outdoors



Shut-off valve used on the inlets for ease of maintenance



Note: Isolation valves should be fitted to the inlet pipework and discharge pipework to isolate the unit for servicing.



WHY CHOOSE THIS PRODUCT

Tough, reliable macerating lifting station

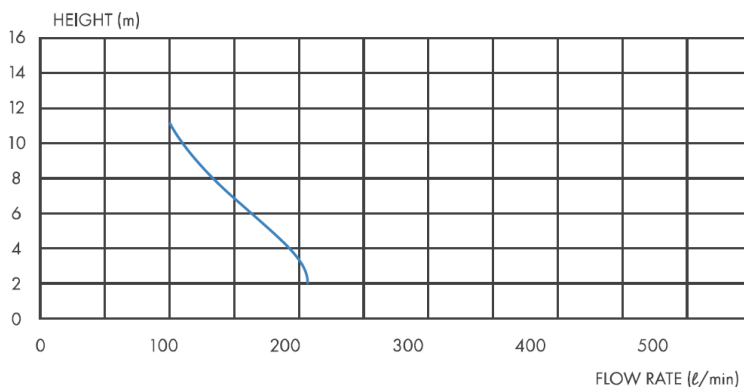
New design with easily removable motor for servicing and maintenance

External hard-wired audio-visual alarm

Centre heights of inlets 140 mm

Base of pump needs to be minimum 275 mm below lowest fixture

Allow 200 mm clearance around pump for maintenance purpose



Saniflo

SFA SOUTH AFRICA
Shaking up water

Made in France to the highest standards, needs to be installed by a licensed plumber.